

 **VITRINTEC**[®]
wall solutions

7

About us
Manufacturing
UV Printing and
Powder Coating Plant

20

Vitrintec Wall Systems
Pure
Silence
Ultra Silence
In Silence

68

Fire-resistant Systems
Pure FS 🔥
Silence FS 🔥
Ultra Silence FS 🔥

104

Loft Systems
Pure Loft
Silence Loft
Ultra Silence Loft
Silence Loft FS 🔥

150

Mobile Walls
ZIG ZAK

160

Doors
Frameless glass Doors
Standard Doors
Standard 78 Doors
Classic FS Doors 🔥
Flush Doors
Solid Doors

192

Accessories
Handles and Fittings

198

Colours and laminates





VITRINTEC[®]
wall solutions

Vitrintec develops and distributes aluminium and glass systems. The company attaches great importance to the quality of its products, offering customers innovative solutions in the field of glass architecture. Vitrintec's design concepts for interior spaces are characterised by: versatility, functionality and comfort. Compatible dimensions and consistent design greatly expand the arrangement possibilities. Vitrintec's overriding value is to strive for continuous product improvement in line with sustainability, as well as quality and environmental standards.

The company has implemented an Integrated Management System: ISO 14001 and ISO 9001, to meet the expectations of even the most demanding customers. The leading features of Vitrintec products are functionality, safety and minimalism. For example, the aluminium profiles designed here have the smallest height of all those available on the market, as less raw material is used in their production.



NORWAY

Oslo

DENMARK

Copenhagen

UNITED KINGDOM

London

NETHERLANDS

Amsterdam

GERMANY

Berlin

POLAND

Warsaw

CZECH REPUBLIC

Prague

SLOVAKIA

Bratislava

HUNGARY

Budapest

ROMANIA

București

FRANCE

Paris

SWITZERLAND

Zurich

ITALY

Rome

MANUFACTURING PLANT

Vitrintec is proud of its extensive machinery, which includes two state-of-the-art production lines for aluminium prefabrication and complex glass processing. Aluminium profiles are prefabricated in energy-efficient CNC-controlled machines. The glass production line is fully automated, which undoubtedly speeds up the order fulfilment process. Glass panes, which are the final product, are cut from large JUMBO formats, which allows better optimisation of the waste generated in the process.

The proximity of the aluminium and glass production, as well as the profile and accessory warehouses, is also a major advantage. This makes it possible to prepare a complex order within one location. The process of assembling system profiles, glass and accessories needed for installation is coordinated entirely in-house.

RESEARCH

The Research and Development department aims to keep up with technological developments and improve existing systems. A team of experienced engineers develops innovative solutions to improve the properties of the system walls. Thanks to their work, the Vitrintec product range is constantly being expanded.

Vitrintec develops acoustically insulated fire-resistant wall systems for use in the most demanding areas, ensuring that they are safe to use. The available systems have all the necessary certificates from the Building Research Institute as well as the necessary National Technical Assessment and European Technical Assessment documents.

UV PRINTING ON GLASS

The UV printing method produces high-quality graphics combined with high durability and resistance to damage. The ink used for UV printing is a liquid polymer. During the printing process, it is exposed to UV light emitted by LED lamps, which causes the ink to polymerise. As a result, the ink hardens from a liquid to a hard plastic. The print is also distinguished by its exceptional resistance to mechanical damage.

POWDER COATING PLANT

Vitrintec has its own state-of-the-art powder coating plant, allowing it to paint system profiles and fittings in any RAL colour. The advantage of this solution is the close location of the powder coating plant to the manufacturing plant, which reduces the time to prepare the final product. The painting time for a batch of material is approx. Powders of the most renowned companies in the world are used for painting, which undoubtedly results in a perfectly smooth surface.

SAFE AND AESTHETICALLY PLEASING

Vitrintec's product range includes various types of non-load-bearing aluminium and glass partition walls for functional space division to the highest standards. The walls on offer are designed for the arrangement of public buildings, office buildings and commercial buildings.

Vitrintec offers single- and double-glazed walls. These systems offer maximum design freedom and light while maintaining high acoustic performance. They are ideal for rooms requiring silence and discretion. They are ideally suited to classical as well as modern; industrial and rustic arrangements.

Glazed walls give the impression of being very light, due to the maximally reduced amount of aluminium and invisible seals. Glazed muntin variants give a unique character to the interior, enhancing the aesthetic value of the space. The intelligent LCD film with adjustable transparency is additionally used in both muntin and muntin-free versions.

Vitrintec systems are distinguished by the highest precision, adding aesthetic value to interiors and making them as safe as possible. High structural stability is ensured by excellent static performance. Easy installation and modularity are also characteristic of Vitrintec systems. The versatile possibilities of creation guarantee the realisation of even the most demanding architectural designs.

16000 m²

MANUFACTURING
PLANT





Vitrintec Walls Systems

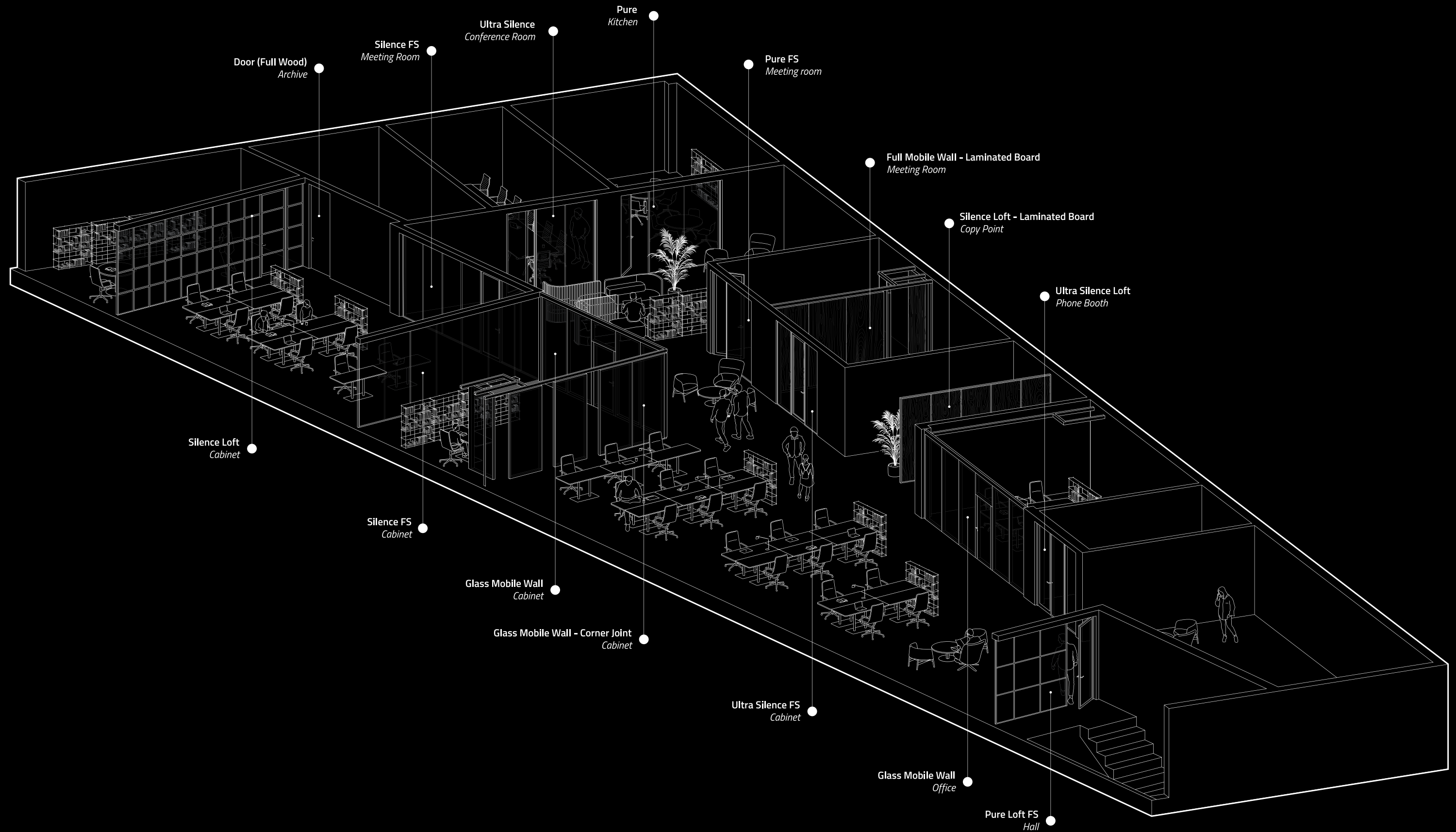
Vitrintec offers various types of non-load-bearing aluminium and glass partition walls for functional space division. These are the lowest profiles on the market, at just 25 mm, and are a guarantee of excellent interior aesthetics.

Vitrintec offers, among other things, four basic solutions that form a range of classless systems.

The flagship product is the extremely minimalist Pure system. A single-glazed wall system with 10 mm or 12 mm thick glass panes. The hallmark of this system is the small aluminium profiles with a depth of only 22 mm and a height of 25 mm or 30 mm. Pure is a system designed for very light and minimalist arrangements. The use of a small amount of aluminium and concealed seals create an impression of 100% transparency. The maximum wall height built with this system is 3,500 mm. The system is also characterised by a sound insulation of R_w 41 dB.

The company's offer is enriched by the Silence system. This single- or double-glazed system is characterised by an exceptionally original design, and is a guarantee that even the most demanding architectural visions will be realised. It offers a wide range of possibilities for creating curved walls and hexagonal broken walls. Profiles in the Silence system are available in two heights: 25 mm and 30 mm, and the system can achieve high sound insulation values of up to 49 dB.

An extension of the Silence system, Ultra Silence, is a system with profile heights of 25 mm or 30 mm and a depth of 100 mm. An elegant and flexible system offering the functionality required in modern architectural designs. It has been designed to make the installation to be as easy and quick as possible. The use of the Ultra Silence system makes it possible to achieve very high sound insulation parameters reaching R_w of 57 dB. The maximum height of walls designed with this system is 4,036 mm.



Door (Full Wood)
Archive

Silence FS
Meeting Room

Ultra Silence
Conference Room

Pure
Kitchen

Pure FS
Meeting room

Full Mobile Wall - Laminated Board
Meeting Room

Silence Loft - Laminated Board
Copy Point

Ultra Silence Loft
Phone Booth

Silence Loft
Cabinet

Silence FS
Cabinet

Glass Mobile Wall
Cabinet

Glass Mobile Wall - Corner Joint
Cabinet

Ultra Silence FS
Cabinet

Glass Mobile Wall
Office

Pure Loft FS
Hall

VITRINTEC WALLS SYSTEMS

30

PURE

40

SILENCE

50

ULTRA SILENCE

60

IN SILENCE



PURE

PURE

A flagship product with a minimalist and lightweight geometry.

Pure is a single-glazed wall system with 10 mm or 12 mm thick glass panes. The hallmark of this system are small aluminium profiles - 22 mm wide and 25 mm or 30 mm high. Pure is a system designed for very light and minimalist arrangements.

The use of a small amount of aluminium and invisible gaskets creates the impression of 100% translucency. The maximum height of walls constructed with the application of this system is 3,500 mm. With this system, it is possible to achieve acoustic insulation at the level of 41 dB.

Rw 41dB

PURE

Maximum height	3500 mm
Profile sizes	22 mm x 25 mm, 22 mm x 30 mm, 30 mm x 40 mm*
Frame dimensions	53 mm x 26 mm / 40 mm 55 mm x 41 mm / 55 mm ** 55 mm x 41 mm / 55 mm
Acoustics	Rw to 41 dB***
Additional options	decorative films, manual or electric blinds, door frame post on the frame profile
Reference document	ITB-KOT-2021/1816 ETA-21/0430

* AS profile
 ** with mounting rail
 *** Pure AS profile



PURE

SPECIFICATION

Single-glazed system

Structural profiles 25 mm or 30 mm high and 22 mm thick or 40 mm deep in the AS system

Maximum height: 3,500 mm

Aluminium profiles: powder coated according to the RAL palette

Glass panes joined using double-sided adhesive tape or microprofiles

Filling of walls with laminated or toughened safety glass with a thickness of 10 mm ÷ 12 mm or 16 mm

in the AS system with other glazing

Possibility of placing light switches on the frame profile

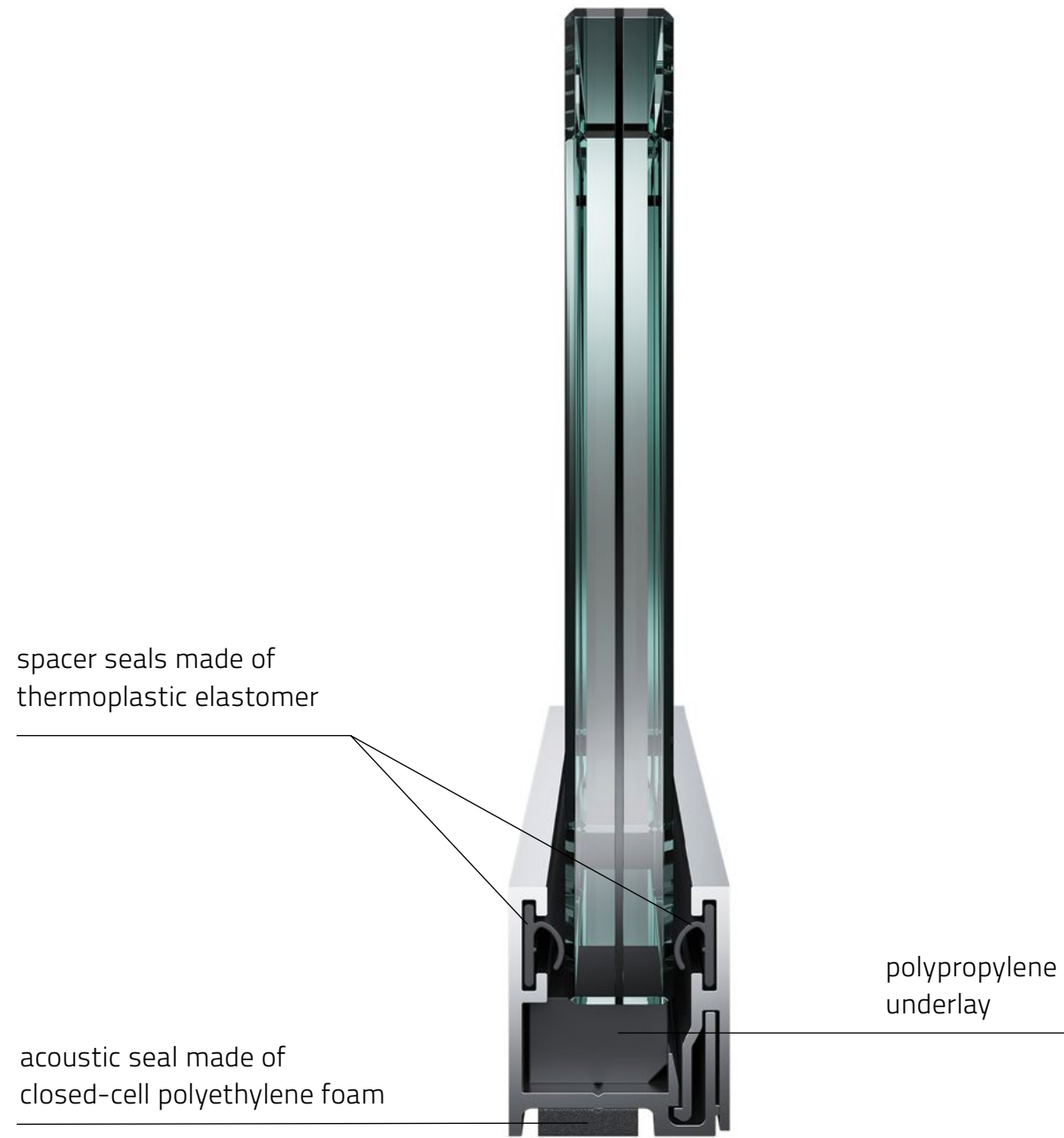
There is an option to make decorative films or install manual or electric blinds

Glazed wall	Glazing	Acoustic insulation Rw	RA1
Full-height glazed	VSG 55.1	Rw = 33 dB	Rw = 32 dB
Full-height glazed	VSG 66.1	Rw = 36 dB	Rw = 35 dB
Full-height glazed	VSG 55.2Si	Rw = 36 dB	Rw = 35 dB
Full-height glazed	VSG 66.2Si	Rw = 38 dB	Rw = 37 dB
Full-height glazed	VSG 66.2Si + (AKU)	Rw = 39 dB	Rw = 38 dB

VSG - laminated glass
Si - acoustic foil
(AKU) - acoustic inserts for aluminium profiles



Rw 41dB



SILENCE

SILENCE

**A double-glazed system with exceptionally original features.
It is a guarantee of the implementation of the most demanding
architectural visions.**

The Silence system offers a wide range of possibilities for the construction of flexible and broken walls. The profiles are available in two heights - 25 mm and 30 mm. With this solution, high acoustic insulation parameters can be achieved with mullion-free glass walls. Silence allows the creation of a number of non-standard arrangements that make the designed space look modern and spacious.

Rw 49dB

SILENCE

Maximum height	3500 mm
Profile sizes	78 mm x 25 mm, 78 mm x 35 mm
Frame dimensions	78 mm x 20 mm /34 mm 78 mm x 20 mm /34 mm *
Acoustics	Rw to 49 dB
Additional options	use of decorative film, manual or electric blinds, placement of light switches on the frame profile
Reference document	ITB-KOT-2021/1816 ETA-21/0430

* with mounting rail



SILENCE

SPECIFICATION

Single- and double-glazed system

Structural profiles 25 mm or 30 mm high and 78 mm thick

Maximum height: 3,500 mm

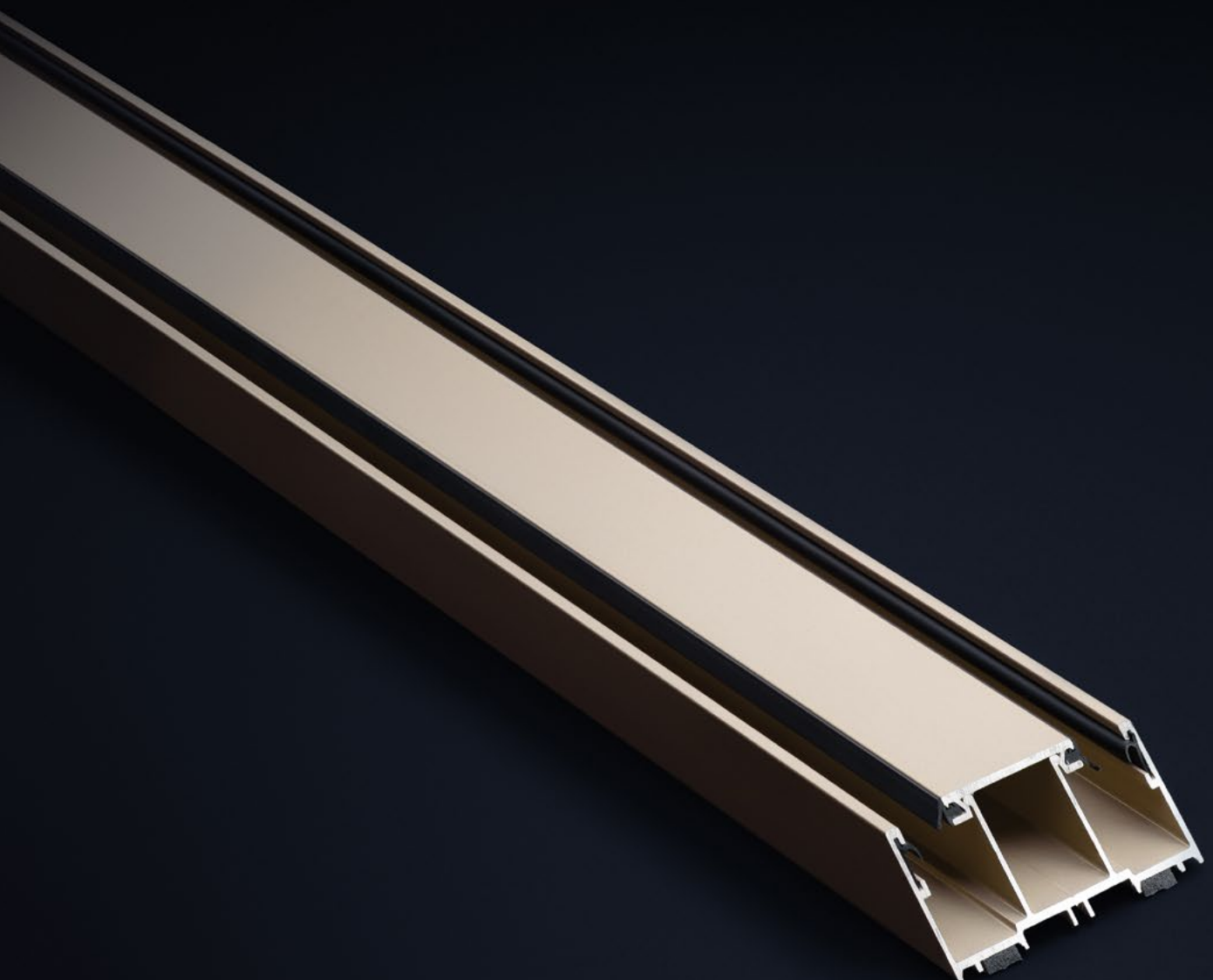
Aluminium profiles: powder coated according to the RAL palette

Glass panes joined using double-sided adhesive tape or microprofiles

Filling of walls with laminated or toughened safety glass with a thickness of 10 mm ÷ 12 mm

Possibility of placing light switches on the frame profile

There is an option to make decorative films or install manual or electric blinds

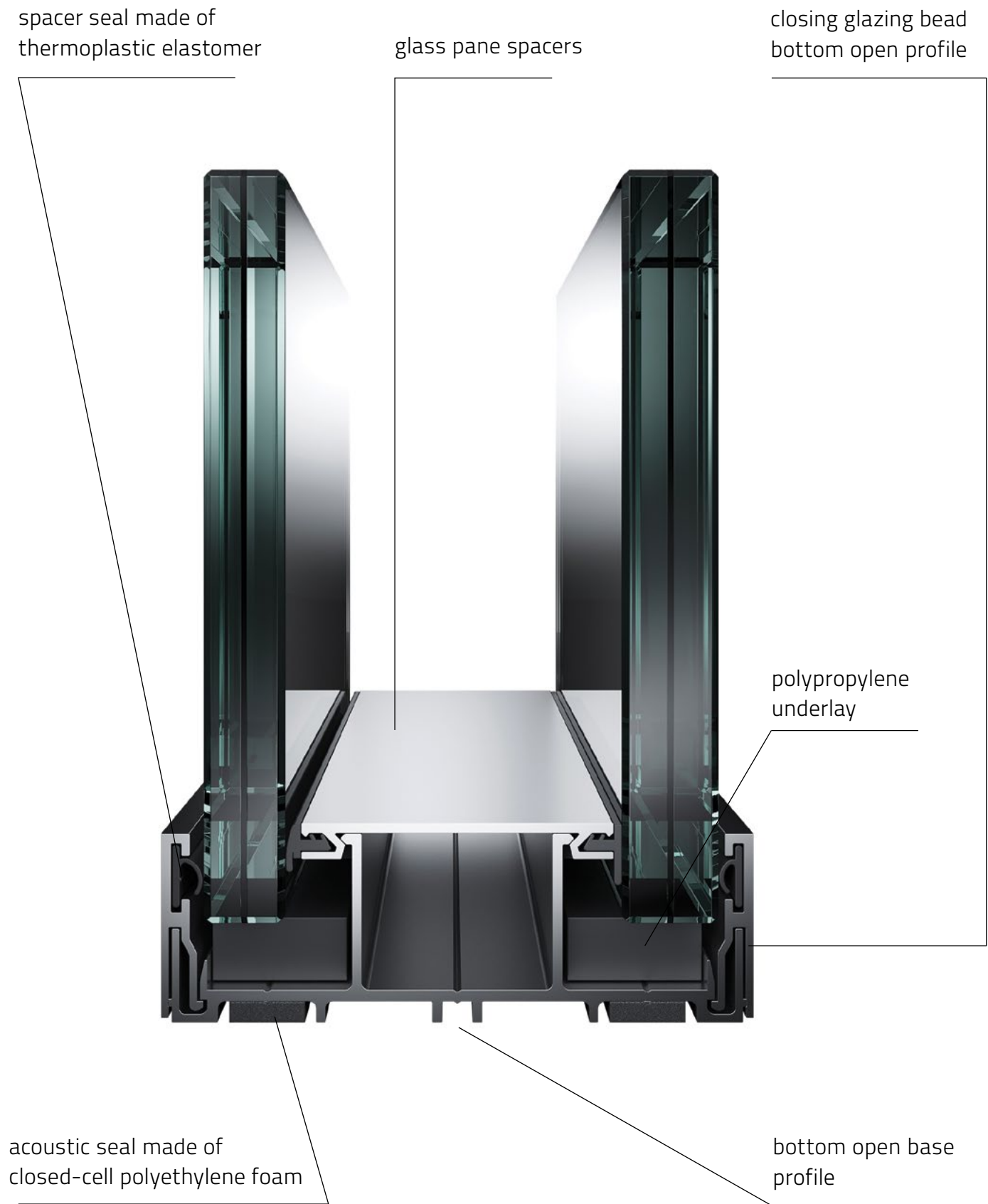


Glazed wall	Glazing	Acoustic insulation Rw	RA1
Full-height glazed	VSG 66.2Si + (AKU)	Rw = 40 dB	Rw = 39 dB
Full-height glazed	VSG 55.1 + ESG 12	Rw = 43 dB	Rw = 42dB
Full-height glazed	VSG 55.1 + VSG 66.1	Rw = 43 dB	Rw = 42 dB
Full-height glazed	VSG 66.1 + VSG 66.1	Rw = 44 dB	Rw = 42 dB
Full-height glazed	VSG 55.2 + VSG 66.2	Rw = 45 dB	Rw = 43 dB
Full-height glazed	VSG 66.2Si + VSG 66.1	Rw = 45 dB	Rw = 44 dB
Full-height glazed	VSG 55.2Si + VSG 66.2Si	Rw = 47 dB	Rw = 46 dB
Full-height glazed	VSG 66.2Si + VSG 66.2Si + AKU	Rw = 49 dB	Rw = 47 dB

VSG - laminated glass
ESG - toughened glass
Si - acoustic foil
(AKU) - acoustic insert for aluminium profiles



Rw 49dB



ULTRA SILENCE

ULTRA SILENCE

The mullion-free Ultra Silence partition wall system is the result of constant pursuit of technological development.

The system ensures maximum freedom of design and additional lighting of the space while maintaining high acoustic parameters of up to 52 dB. With such high parameters, the system is perfect for rooms where silence and discretion are required. The 100 mm wide Ultra Silence double-glazed system is characterised by an original design that matches modern architectural trends perfectly well.

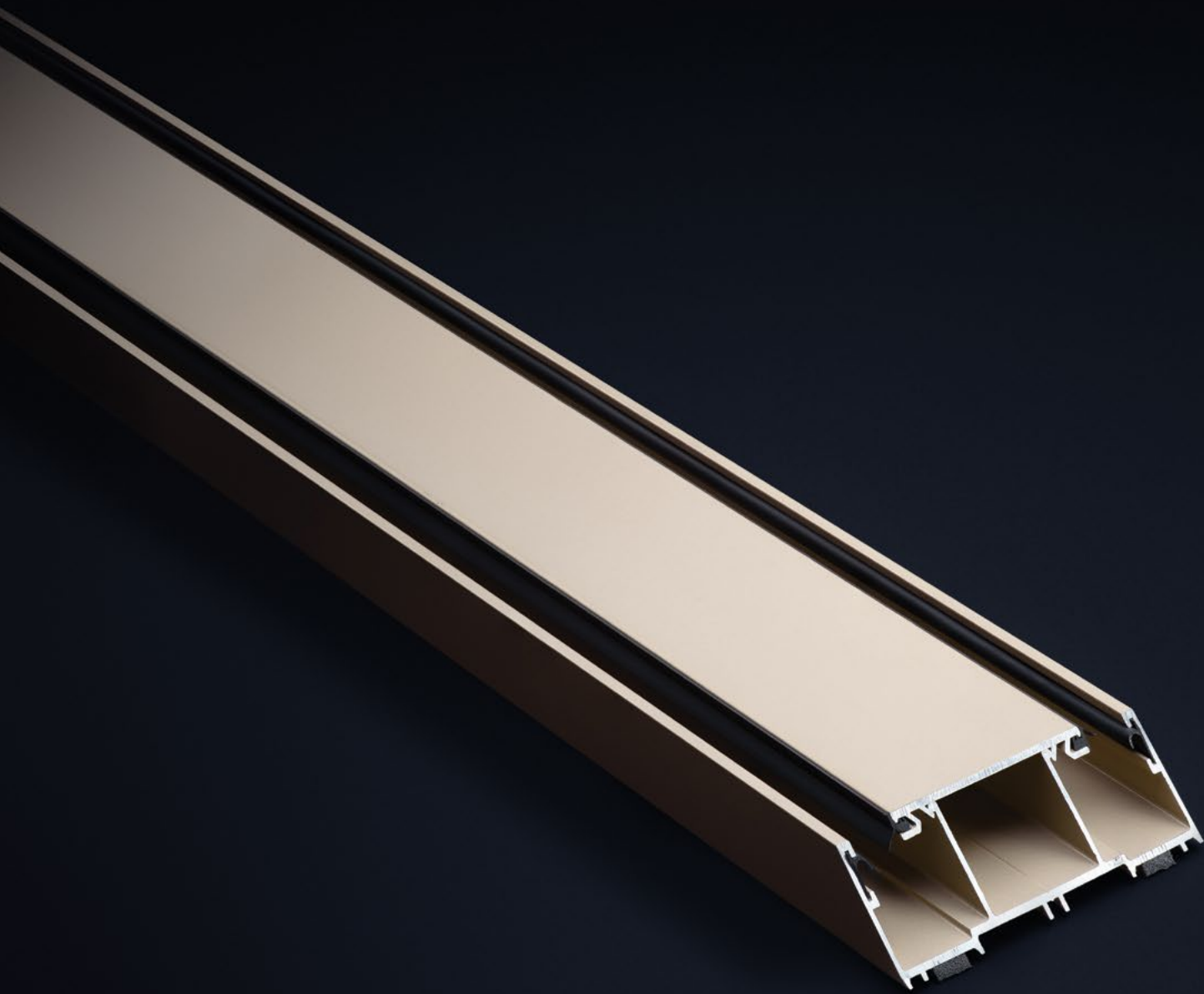
Rw 52dB

ULTRA SILENCE

Maximum height	3500 mm
Profile sizes	100 mm x 25 mm, 100 mm x 30 mm
Frame dimensions	100 mm x 20 mm /34 mm *
Acoustics	Rw to 52 dB
Additional options	use of decorative film, manual or electric blinds, placement of light switches on the frame profile
Reference document	ITB-KOT-2021/1816 ETA-21/0430

* with mounting rail





ULTRA SILENCE

SPECIFICATION

Double-glazed system

Structural profiles 25 mm or 30 mm high and 100 mm wide

Maximum height: 3,500 mm

Aluminium profiles: powder coated according to the RAL palette

Open or closed frame profiles, surface or concealed hinges

Profiles for mounting of cables - for light switches and telecommunications sockets

Wall infill with 10 mm ÷ 12 mm laminated or toughened safety glass

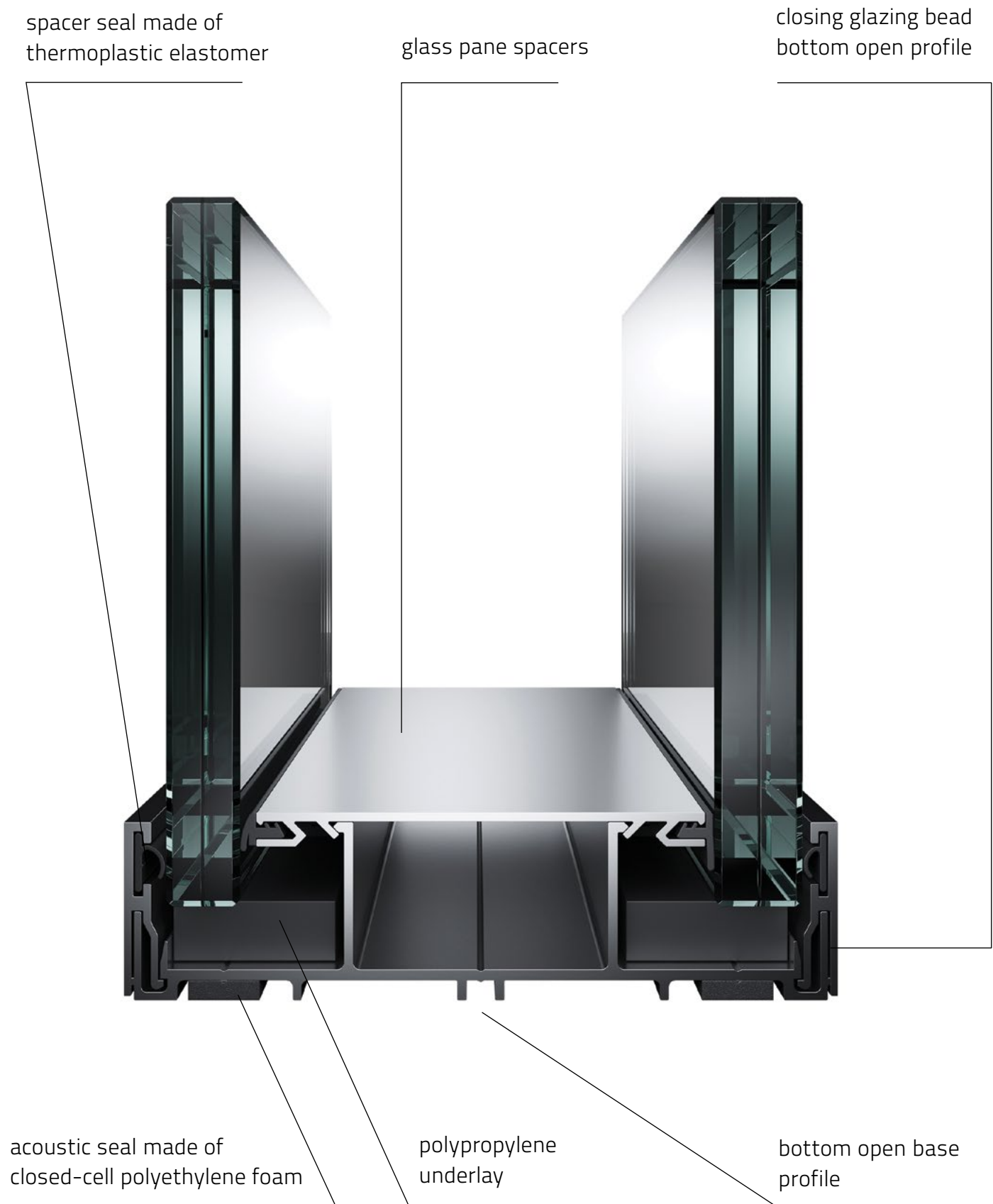
Possibility of making decorative films, manual or electric blinds

Glazed wall	Glazing	Acoustic insulation Rw	RA1
Full-height glazed	VSG 55.1 + ESG 10 mm	Rw = 44 dB	Rw = 42 dB
Full-height glazed	VSG 55.1 + VSG 66.1	Rw = 44 dB	Rw = 43 dB
Full-height glazed	VSG 66.1 + VSG 66.1	Rw = 44 dB	Rw = 43 dB
Full-height glazed	VSG 66.2Si + VSG 66.1	Rw = 47 dB	Rw = 45 dB
Full-height glazed	VSG 55.2Si + VSG 66.2Si	Rw = 48 dB	Rw = 46 dB
Full-height glazed	VSG 66.2Si + VSG 66.2Si + AKU	Rw = 52 dB	Rw = 50 dB

VSG - laminated glass
 ESG - toughened glass
 Si - acoustic foil
 (AKU) - acoustic insert for aluminium profiles



Rw 52dB



IN SILENCE

IN SILENCE

The In Silence partition wall system is designed for spaces where acoustic comfort is key.

In Silence is a double-glazed system, characterised by top-of-the-line acoustic performance. Offering sound insulation of up to 53 dB, it is ideal wherever the aim is to create a quiet space. The In Silence system measures 125 mm in width and its profiles are 30 mm high, offering a functional solution for a diverse range of spaces.

Rw 53dB

IN SILENCE

Maximum height	3500 mm
Profile sizes	125 mm x 30 mm
Frame dimensions	100 mm x 20 mm / 34 mm *
Acoustics	Rw to 53 dB
Additional options	decorative films, manual or electric blinds, door frame post on the frame profile

* with mounting rail



IN SILENCE

SPECIFICATION

Double-glazed system

Structural profiles 30 mm high and 125 mm wide

Maximum height: 3500 mm

Aluminium profiles: powder coated according to the RAL palette

Open or closed frame profiles, surface or concealed hinges

Electrical profiles for the installation of wiring — for light switches and telecommunications outlets

Walls filled with 10 mm ÷ 12 mm thick laminated or tempered glass.

Decorative films or manual or electric blinds available as options.

Glazed wall	Glazing	Acoustic insulation Rw	RA1
Full-height glazed	VSG 66.2Si + VSG 66.2Si + (AKU)	Rw = 53 dB	51 dB

VSG - laminated glass
Si - acoustic foil
(AKU) - acoustic insert for aluminium profiles



Rw 53dB

spacer seal made of thermoplastic elastomer

glass pane spacers

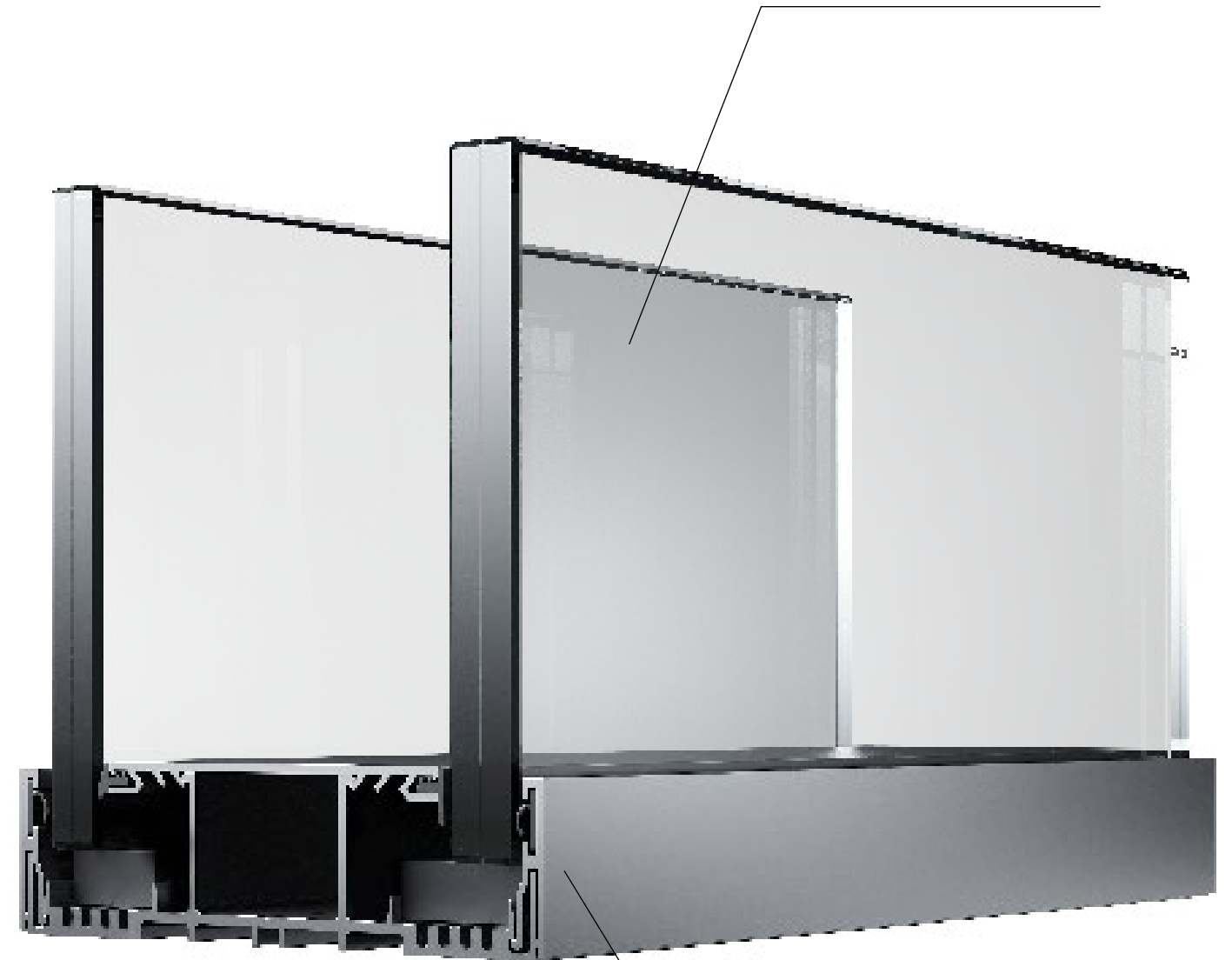
closing glazing bead bottom open profile



polypropylene underlay

bottom open base profile

VSG laminated safety glass or ESG toughened safety glass



aluminium profile anodised/ coated in any RAL colour

Fire-resistant systems

Each space should be characterised not only by high quality design and functionality, but also safety. This is guaranteed by Vitrintec's aluminium and glass partition walls. Aluminium and glass fire-resistant walls are mainly used in office interiors and public spaces. Vitrintec has developed innovative fire-resistant walls, the main feature of which is fire insulation and easy and quick installation without the need for complex prefabrication of aluminium structures on production halls.

FIRE-RESISTANT SYSTEMS

76

PURE FS

86

SILENCE FS

96

ULTRA SILENCE FS



PURE FS

PURE FS

Pure FS is a guarantee of safety of any usable space.

A fire-resistant single-glazed wall system with glass panes joined with the use of silicone and minimalist system profiles. Pure FS is a system designed for the arrangement of very light, transparent glass structures, in the case of which maximally reduced amount of aluminium and invisible gaskets create the impression of 100% translucency. The fire rating of the Pure FS system is EI30/EW30. The system is a combination of modern design, comfort and safety.

Rw 40dB

PURE FS



reddot winner 2021

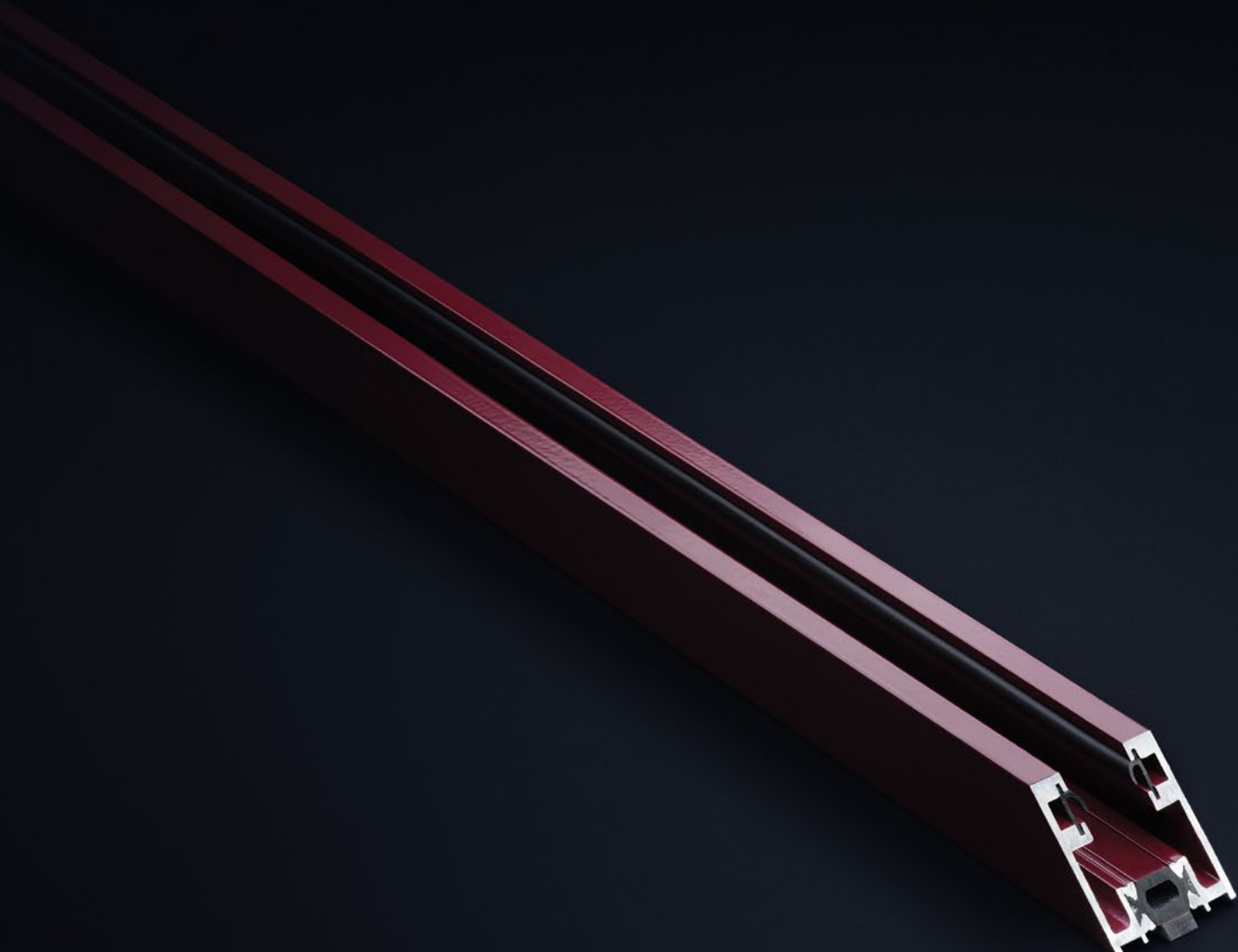
Maximum height	3000 mm
Profile sizes	40 mm x 30 mm
Frame dimensions	55 mm x 41 mm / 55 mm *
Acoustics	Rw to 40 dB
Additional options	use of decorative film, manual or electric blinds, placement of light switches on the frame profile
Reference document	ITB-KOT-2019/0978

* with or without mounting rail





reddot winner 2021



PURE FS

SPECIFICATION

Single-glazed system

Structural profiles 30 mm high and 40 mm thick

Maximum height: 3,000 mm

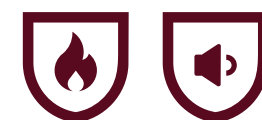
Aluminium profiles: powder coated according to the RAL palette

Fire resistance EI30 / EW30

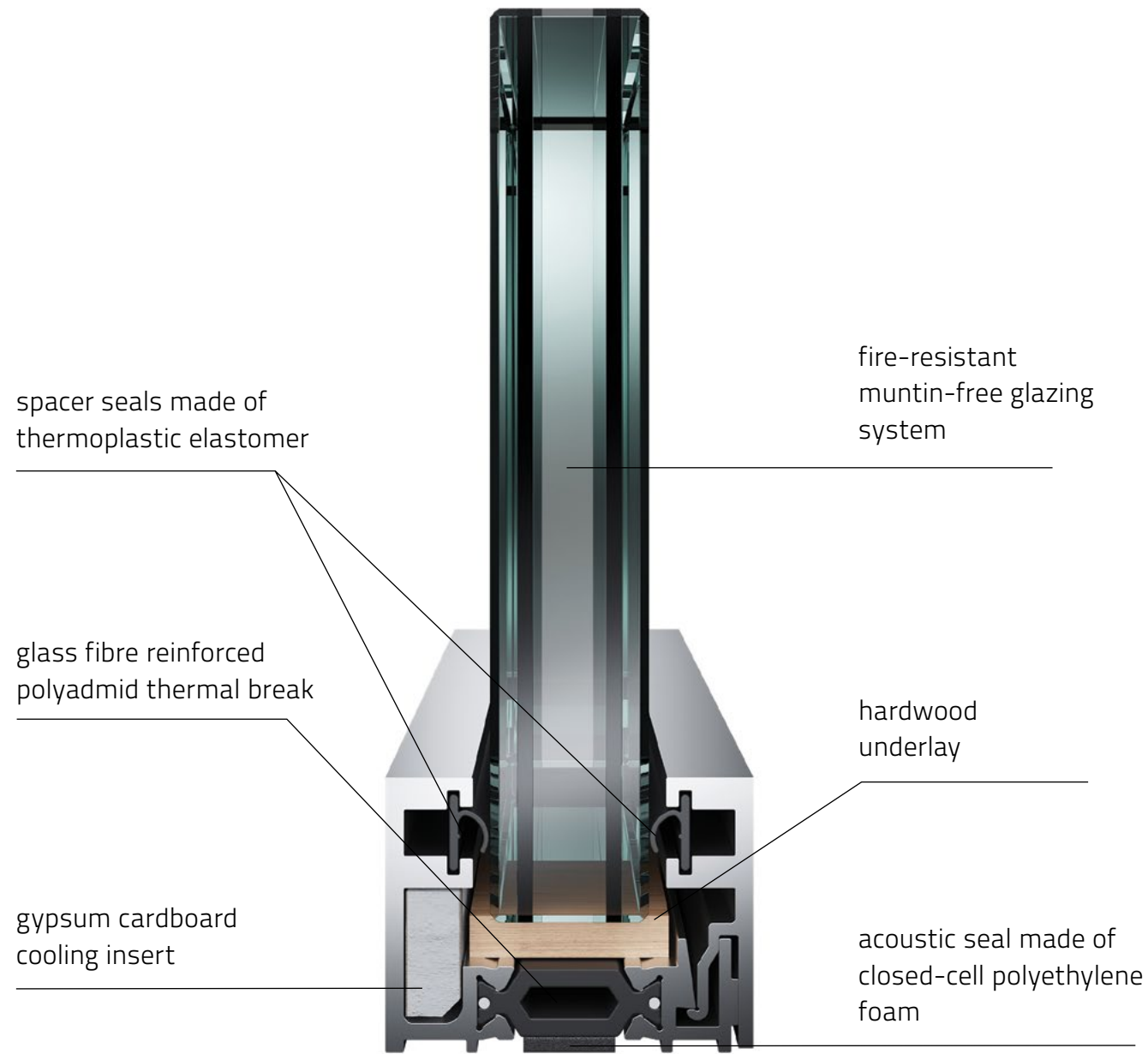
There is an option to mount light switches on the frame profile

There is an option to make decorative films or install manual or electric blinds

Glazed wall	Glazing	Acoustic insulation Rw	RA1
Full-height glazed	Vetrotech Saint-Gobain Contarflam Structure 30	Rw = 38 dB	Rw = 37 dB
Full-height glazed	AGC Pyrobel 16VL	Rw = 38 dB	Rw = 36 dB
Full-height glazed	AGC Pyrobel 16EG	Rw = 40 dB	Rw = 39 dB



Rw 40dB



SILENCE FS

SILENCE FS

The double-glazed fire-resistant system, which has similar parameters to the Silence system without fire rating, gives unique design possibilities.

It enables sensational solutions when it comes to designing office space and, thanks to the use of the smallest profiles available on the market for double-glazed fire-resistant walls, it guarantees high acoustic parameters and lightweight construction. Its characteristic feature is modularity and it is very easy to install. With the Silence FS system, high acoustic insulation parameters can be achieved. Due to its EI30/EW30 fire rating, the system is a guarantee of safe spaces.

Rw 46dB

SILENCE FS



reddot winner 2021

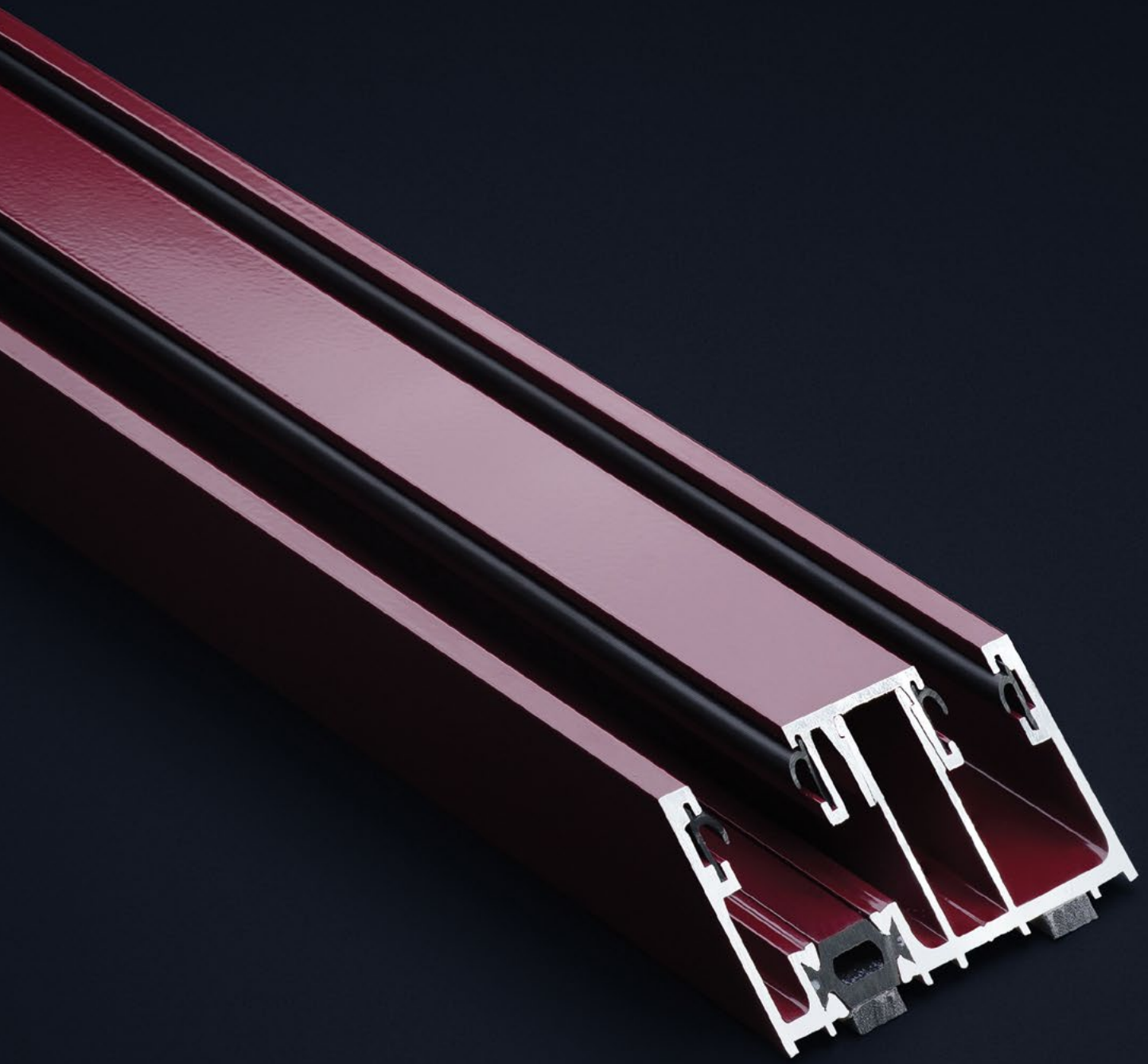
Maximum height	3200 mm
Profile sizes	78 mm x 30 mm
Frame dimensions	78 mm x 20 mm /34 mm 78 mm x 20 mm /34 mm *
Acoustics	Rw to 46 dB
Additional options	use of decorative film, manual or electric blinds, placement of light switches on the frame profile
Reference document	ITB-KOT-2019/0978

* with mounting rail





reddot winner 2021



SILENCE FS

SPECIFICATION

Double-glazed system

Structural profiles 30 mm high and 78 mm thick

Maximum height: 3,200 mm

Aluminium profiles: powder coated in any colour from the RAL palette

Fire resistance EI30 / EW30

90-degree corner profiles

Frame profiles for classless doors open or closed - profile 78 x 35 mm

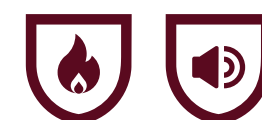
Option of placing light switches on the frame profile

There is an option to assemble walls without muntins or with decorative muntins

External or concealed hinges

Glazed wall	Glazing	Acoustic insulation Rw	RA1
Full-height glazed	Contraflam S30 + VSG 55.1	Rw = 43 dB	Rw = 42 dB
Full-height glazed	Contraflam S30 + VSG 66.2 Si	Rw = 46 dB	Rw = 45 dB
Full-height glazed	AGC Pyrobel 16VL + VSG 55.1	Rw = 43 dB	Rw = 42 dB
Full-height glazed	AGC Pyrobel 16VL + VSG 66.2 Si	Rw = 45 dB	Rw = 44 dB
Full-height glazed	AGC Pyrobel 16EG + VSG 66.2 Si	Rw = 46 dB	Rw = 45 dB

VSG - laminated glass
Si - acoustic foil



Rw 46dB



ULTRA SILENCE FS

ULTRA SILENCE FS

An elegant and flexible system that offers the functionality required in modern architectural design.

Ultra Silence FS is created with the utmost precision to ensure the high aesthetics of modern interiors. It is characterised by a similar height of 30 mm of the fire-resistant systems in the Vitrintec FS family. Using the system makes it possible to achieve very high sound insulation parameters of up to 50 dB. With the EI30/EW30 fire rating, the system can be implemented in the most demanding spaces, ensuring safe use. Good static parameters ensure the stability of the structure.

Rw 50dB

ULTRA SILENCE FS



reddot winner 2021

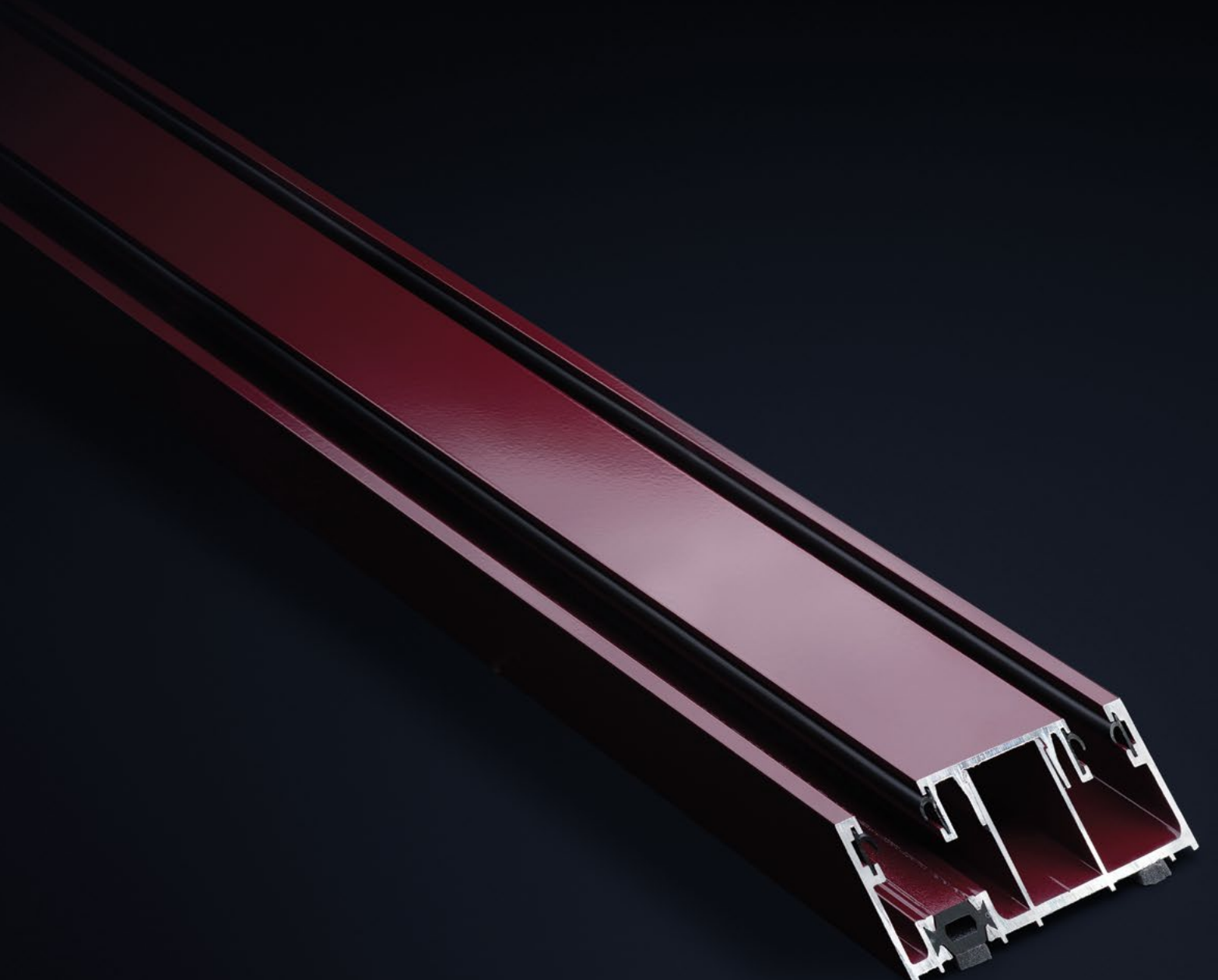
Maximum height	3200 mm
Profile sizes	100 mm x 30 mm
Frame dimensions	100 mm x 24 mm / 38 mm 100 mm x 20 mm / 34 mm *
Acoustics	Rw to 50 dB
Additional options	use of decorative film, manual or electric blinds, placement of light switches on the frame profile
Reference document	ITB-KOT-2019/0978

* with mounting rail





reddot winner 2021



ULTRA SILENCE FS

SPECIFICATION

Double-glazed system

Structural profiles 30 mm high and 100 mm thick

Maximum height: 3,200 mm

Aluminium profiles: powder coated in any colour from the RAL palette

Fire resistance EI30 / EW30

Open or closed door frame profile for classless doors.

External or concealed hinges

There is an option to mount light switches on the frame profile

There is an option to assemble walls without muntins or with decorative muntins

Glazed wall	Glazing	Acoustic insulation Rw	RA1
Full-height glazed	AGC Pyrobel P16VL+VSG 55.1	Rw = 44 dB	Rw = 43 dB
Full-height glazed	AGC Pyrobel 16VL + VSG 66.2Si	Rw = 48 dB	Rw = 47 dB
Full-height glazed	AGC Pyrobel 16VL + VSG 88.2Si	Rw = 50 dB	Rw = 49 dB

VSG - laminated glass
Si - acoustic foil



Rw 50dB



Loft systems

All Vitrintec walls can additionally be fitted with muntins; depending on the series, these have a decorative or structural role. They fit in perfectly with current design trends offering even greater aesthetic value. In the Pure LOFT single-glazing system, the muntins are glued to the surface of the glass without interfering with the glass pane. In the Silence and Ultra Silence double-glazing systems, constructional muntins have been used, allowing us to achieve a build-up of more than 4,000 mm. In addition, the structural muntins used in the production of the Ultra Silence series increase the sound insulation performance R_w to 57 dB. We are also proud to present the Silence LOFT Fire Stop, which was the winner of the prestigious Red Dot Design competition - an award regarded as one of the most prestigious prizes in the field of industrial design.

LOFT SYSTEMS

112

PURE LOFT

122

SILENCE LOFT

132

ULTRA SILENCE LOFT

142

SILENCE LOFT FS



PURE LOFT

PURE LOFT

Top-class aluminium and glass system for minimalist and modern space division.

Pure Loft is a response to the latest trends in office space design but also a return to the factory interior style of the 1990s. The industrial version of the Pure system is characterised by muntins glued to the pane, which undoubtedly add character to the interior. The advantage of this solution is that it does not interfere with the wall structure and increases its aesthetic value at the same time.

Rw 41dB

PURE LOFT

Maximum height	3500 mm
Profile sizes	22 mm x 25 mm, 22 mm x 30 mm
Frame dimensions	53 mm x 26 mm /40 mm 55 mm x 41 mm /55 mm * 55 mm x 41 mm /55 mm
Acoustics	Rw to 41*** dB
Additional options	use of decorative film, manual or electric blinds, placement of light switches on the frame profile
Reference document	ITB-KOT-2021/1816 ETA-21/0430

* with mounting rail
**Pure AS profile





PURE LOFT

SPECIFICATION

Single-glazed muntin system

Structural profiles 25 mm or 30 mm high and 22 mm thick

Maximum height: 3,500 mm

Aluminium profiles: powder coated in any colour from the RAL palette

Option of installing both horizontal and vertical

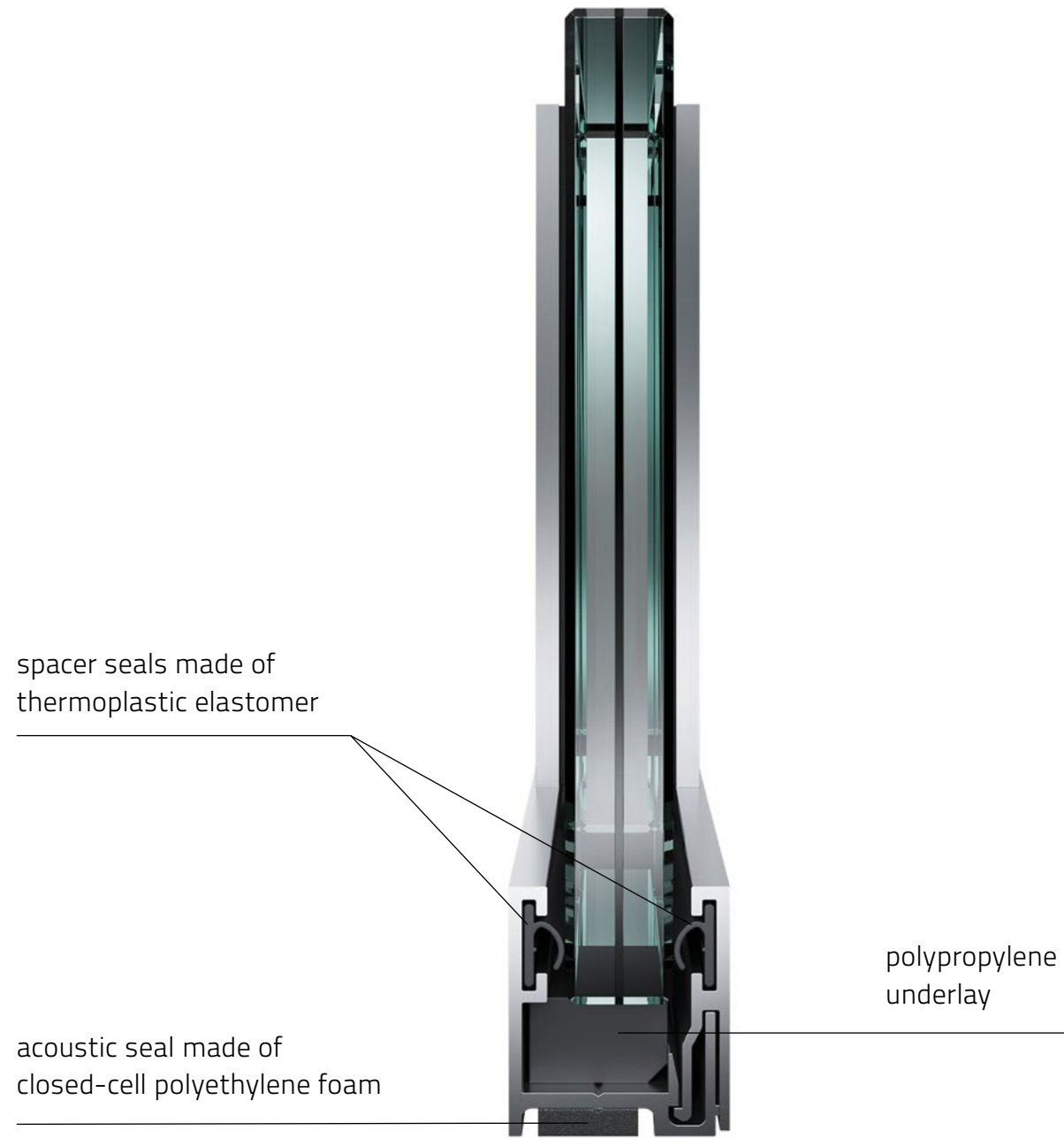
Option of placing light switches on the frame profile

Glazed wall	Glazing	Acoustic insulation Rw	RA1
Full-height glazed	VSG 55.1	Rw = 33 dB	Rw = 32 dB
Full-height glazed	VSG 55.2Si	Rw = 36 dB	Rw = 35 dB
Full-height glazed	VSG 66.1	Rw = 36 dB	Rw = 35 dB
Full-height glazed	VSG 66.2Si	Rw = 38 dB	Rw = 37 dB
Full-height glazed	VSG 66.2Si + AKU	Rw = 39 dB	Rw = 38 dB

VSG - laminated glass
Si - acoustic foil
(AKU) - acoustic insert for aluminium profiles



Rw 41dB



SILENCE LOFT

SILENCE LOFT

The double-glazed aluminium and glass mullion wall system creates a unique character of any interior.

The mullions are made of light and very durable aluminium, therefore the entire system is a stable, safe structure and a modern element that matches various types of spaces perfectly well. Aluminium profiles with a height of 25 mm or 30 mm are the subtle and durable base of the system. Silence Loft is characterised by acoustic insulation of up to 52 dB that guarantees a comfortable work environment.

Rw 52dB

SILENCE LOFT

Maximum height	4000 mm
Profile sizes	78 mm x 25mm, 78 mm x 30 mm
Frame dimensions	78 mm x 20 mm /34 mm 78 mm x 20 mm /34 mm *
Acoustics	Rw to 52 dB
Additional options	use of decorative film, manual or electric blinds, placement of light switches on the frame profile
Reference document	ITB-KOT-2019/1191 ETA-20/0885

* with mounting rail



SILENCE LOFT

SPECIFICATION

Double-glazed muntin system

Structural profiles 25 mm or 30 mm high and 78 mm thick

Maximum height: 4,000 mm

Aluminium profiles painted in any RAL palette

Open or closed frame profiles, surface or concealed hinges

Profiles for mounting of cables - for light switches and telecommunications sockets

Option of placing light switches on the frame profile

Solid walls filled with 13 mm plasterboard covered with vinyl wallpaper, 12 mm MDF board covered with laminate, veneer or painted in any colour

Glazed walls filled with laminated or tempered safety glass 5 ÷ 12 mm thick

There is an option to make decorative films or install manual or electric blinds

Glazed wall	Glazing	Acoustic insulation Rw	RA1
Full-height glazed	VSG 33.1 + VSG 33.1	Rw = 40 dB	Rw = 38 dB
Full-height glazed	VSG 33.1 + VSG 55.1	Rw = 43 dB	Rw = 41 dB
Full-height glazed	VSG 55.2Si + VSG 66.2Si	Rw = 48 dB	Rw = 46 dB
Full-height glazed	VSG 66.2Si + VSG 66.2Si + (AKU)	Rw = 52 dB	Rw = 50 dB

VSG - laminated glass
Si - acoustic foil
(AKU) - acoustic insert for aluminium profiles



Rw 52dB



**ULTRA
SILENCE
LOFT**

ULTRA SILENCE LOFT

The Ultra Silence Loft system matches the modern trend of interior design perfectly well.

It is a double-glazed aluminium and glass wall system with mullions. The stable and durable structure of the whole system completes the top-quality arrangement. Ultra Silence Loft is characterized by high acoustic insulation parameters, which guarantee soundproofing and office working conditions at the highest level.

Rw 57dB

ULTRA SILENCE LOFT

Maximum height	4000 mm
Profile sizes	100 mm x 25 mm, 100 mm x 30 mm
Frame dimensions	100 mm x 24 mm / 38 mm 100 mm x 20 mm / 34 mm *
Acoustics	Rw to 57 dB
Additional options	use of decorative film, manual or electric blinds, placement of light switches on the frame profile
Reference document	ITB-KOT-2019/1191 ETA-20/0885

* with mounting rail



ULTRA SILENCE LOFT

SPECIFICATION

Double-glazed muntin system

Structural profiles 25 mm or 30 mm high and 100 mm thick

Maximum height: 4,000 mm

Aluminium profiles painted in any RAL colour

Open or closed frame profiles, surface or concealed hinges

Profiles for mounting of cables - for light switches and telecommunications sockets

Option of placing light switches on the frame profile

Solid walls filled with 13 mm plasterboard covered with vinyl wallpaper, 12 mm MDF board covered with laminate, veneer or painted in any colour

Glazed walls filled with laminated or tempered safety glass 5 ÷ 12 mm thick

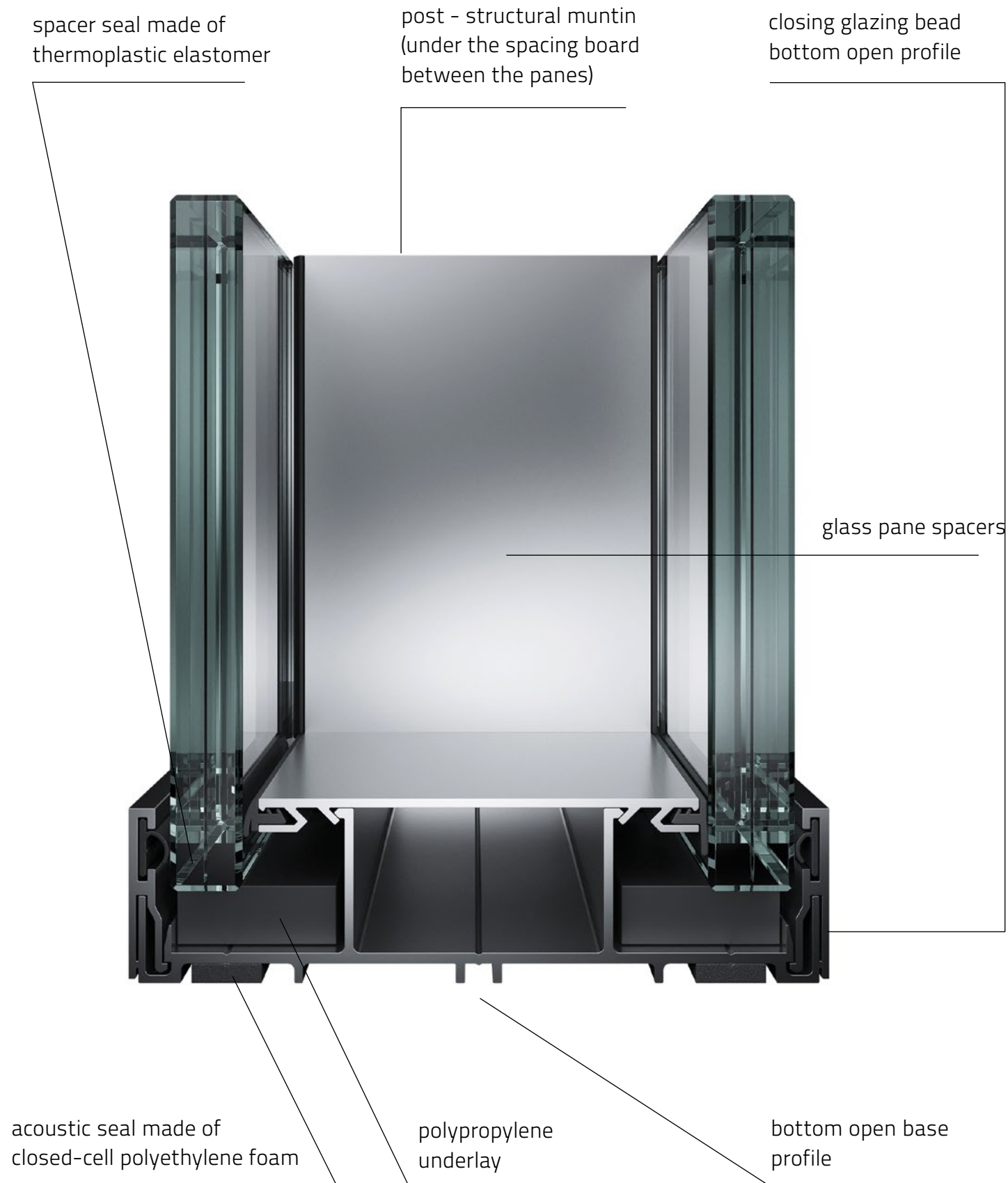
There is an option to make decorative films or install manual or electric blinds

Wall	Glazing/Infill	Acoustic insulation Rw	RA1
Full-height glazed	VSG 55.2Si + VSG 66.2Si + AKU	Rw = 52 dB	Rw = 50 dB
Full-height infilled	2x MDF 12 + WM* + AKU	Rw = 46 dB	Rw = 42 dB
Full-height infilled	2x (GK*+ Bl.*) + AKU	Rw = 57 dB	Rw = 54 dB

VSG - laminated glass
Si - acoustic foil
(AKU) - acoustic insert for aluminium profiles
MDF 12 - medium density wood fibreboard
WM - mineral glass wool
GK - gypsum plasterboard
Bl. - metal sheet 1,5 mm



Rw 57dB





**SILENCE
LOFT FS**

SILENCE LOFT FS

Fire-resistant system with vertical or vertical and horizontal structural infill. Fitted with muntins to give a unique look to any interior.

Fire-resistant system with vertical or vertical and horizontal structural infill. Fitted with muntins to give a unique look to any interior. A double-glazed system with fire insulation characterized by an original design with a height of just 30 mm or 38 mm. Creating an office space on the basis of this system allows for unlimited design possibilities, without sacrificing acoustic or visual performance. This solution uses the smallest profiles on the market for double-glazed firewalls, achieving fire insulation of EI30/EW30. The system is a guarantee that the space will be safe, and that the best materials have been used to create it.

Rw 47dB

SILENCE LOFT FS



reddot winner 2021

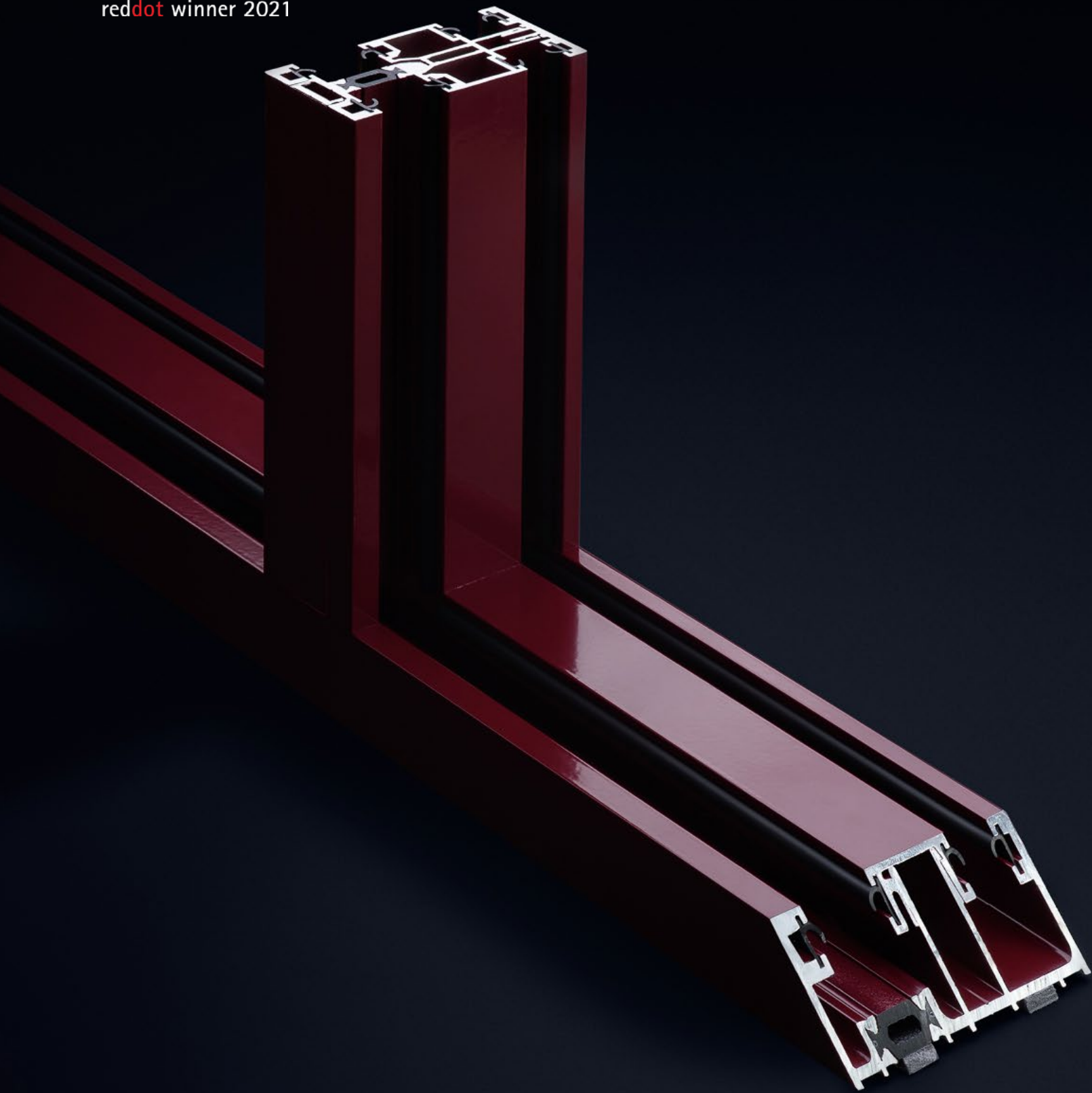
Maximum height	3100 mm
Profile sizes	78 mm x 30 mm - perimeter 78 mm x 38 mm - muntin bars
Frame dimensions	78 mm x 20 mm /34 mm 78 mm x 20 mm /34 mm *
Acoustics	Rw to 47 dB
Additional options	use of decorative film, manual or electric blinds, placement of light switches on the frame profile
Reference document	ITB-KOT-2022/2089

* with mounting rail





reddot winner 2021



SILENCE LOFT FS

SPECIFICATION

Double-glazed muntin system

Structural profiles 30 mm or 38 mm high and 78 mm thick

Maximum height: 3,100 mm

Aluminium profiles painted in any RAL colour

Open or closed frame profiles, surface or concealed hinges

Profiles for mounting of cables - for light switches and telecommunications sockets

Option of placing light switches on the frame profile

Fire resistance EI30 / EW30

Glazed wall	Glazing	Acoustic insulation Rw	RA1
Full-height glazed	Contraflam S30+VSG 55.1	Rw = 42 dB	Rw = 41 dB
Full-height glazed	Contraflam S30+VSG 66.2Si	Rw = 47 dB	Rw = 45 dB
Full-height glazed	AGC Pyrobel 16VL+VSG 55.1	Rw = 45 dB	Rw = 43 dB
Full-height glazed	AGC Pyrobel 16VL+VSG 66.2Si	Rw = 46 dB	Rw = 44 dB

VSG - laminated glass
Si - acoustic foil



Rw 47dB



The image features a black background with several thin white lines. On the left side, there are three vertical lines that extend from the top edge towards the bottom. These lines are connected at the top by a series of diagonal lines that slope downwards from left to right, creating a series of trapezoidal shapes. The lines are thin and precise, creating a minimalist, architectural feel.

MOBILE WALLS





reddot winner 2024



GERMAN
DESIGN
AWARD
WINNER
2024



ZIGZAK

Adapt your space to suit your needs.

Mobile walls guarantee a functional division of space while maintaining high sound insulation parameters. Convenience of use is ensured by the single-leaf doors, which allow the walls to divide the space in any way necessary without the need to provide additional passageways. The modules can be easily slid in and out manually or semi-automatically. The profiles of the mobile wall are designed to be as transparent as possible — about 87% of their total surface area is transparent. The biggest advantage of the ZigZak mobile walls is their versatility, allowing the modules to match any type of room and style of finish. The option to choose between glass infill, solid or mixed infill (glass and opaque modules) gives architects and interior designers complete freedom in designing modern spaces.

Vitrintec customers also have the option to customise the level of translucency of the ZigZak system glass walls (only available for walls with integrated LCD film).

ZIGZAK

M O B I L E W A L L S

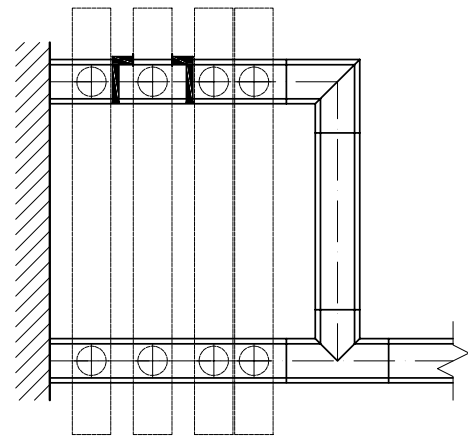


**GERMAN
DESIGN
AWARD
WINNER
2024**

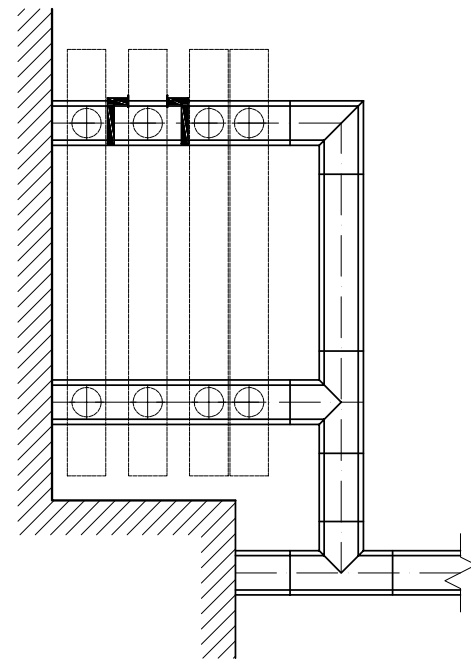


EXAMPLES OF ARRANGEMENTS

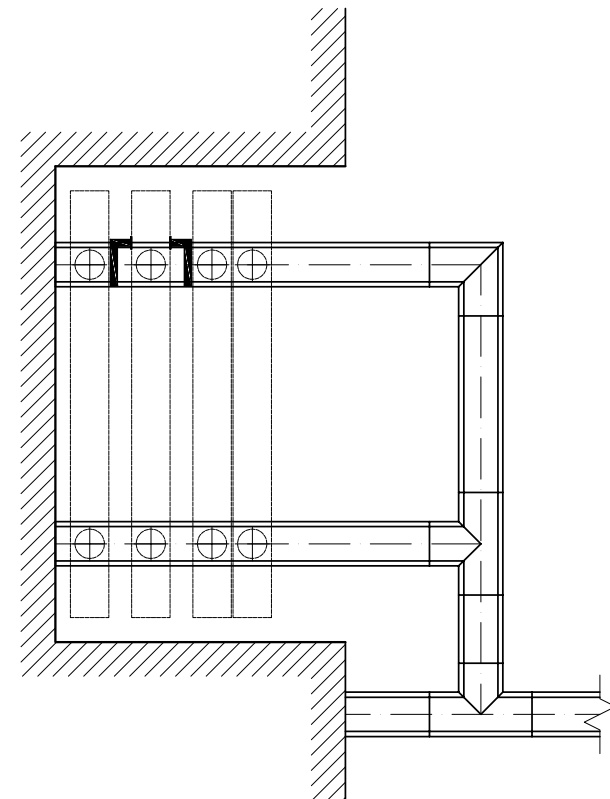
Arrangement A



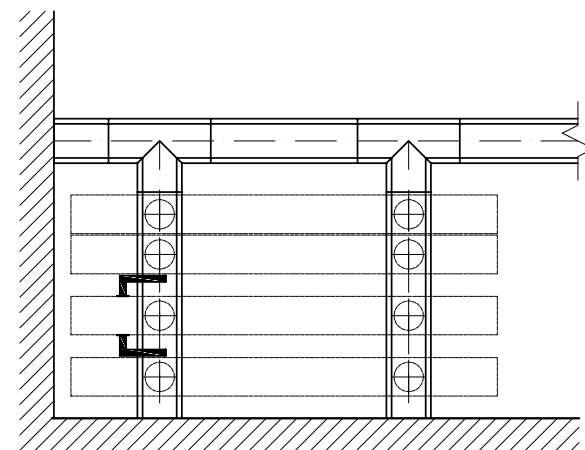
Arrangement B



Arrangement C



Arrangement D



ZIGZAK

MOBILE WALLS

SPECIFICATION

Technical specifications	all-glass wall	solid wall
Glass/panel thickness	6÷12 mm	12÷18 mm
Finish	two-way glass, frosted glass, LCD film	laminated, veneer, wallpaper, sheet metal
Acoustics	Rw to 50 dB	Rw to 54 dB
Standard clear width	900 mm	900 mm
for single leaf doors		
Single leaf door height	2100 mm	2100 mm
Guide rail colour	any colour from the RAL palette	any colour from the RAL palette
Frame colour	any colour from the RAL palette	any colour from the RAL palette



DOORS





DOORS

168

FRAMELESS GLASS DOOR

172

STANDARD DOORS

176

STANDARD 78 DOORS

180

CLASSIC FS DOORS

184

FLUSH DOORS

188

SOLID DOORS



FRAMELESS GLASS DOORS

All-glass frameless doors made of tempered glass 8 mm or 10 mm thick. There is an option to install a door closer with a guide rail and access control system. Aluminium frame 53 mm, 78 mm and 100 mm thick. The door can be installed in any assembly opening, also in a glass wall system.

SPECIFICATION

Single or double leaf doors

Maximum leaf height 3,000 mm

Glass thickness 8 or 10 mm

Door frame profiles painted in any RAL colour

Fittings in silver anodised finish as standard, can be painted in any RAL colour

Transparent/frosted/tinted/smoked/LCD glass

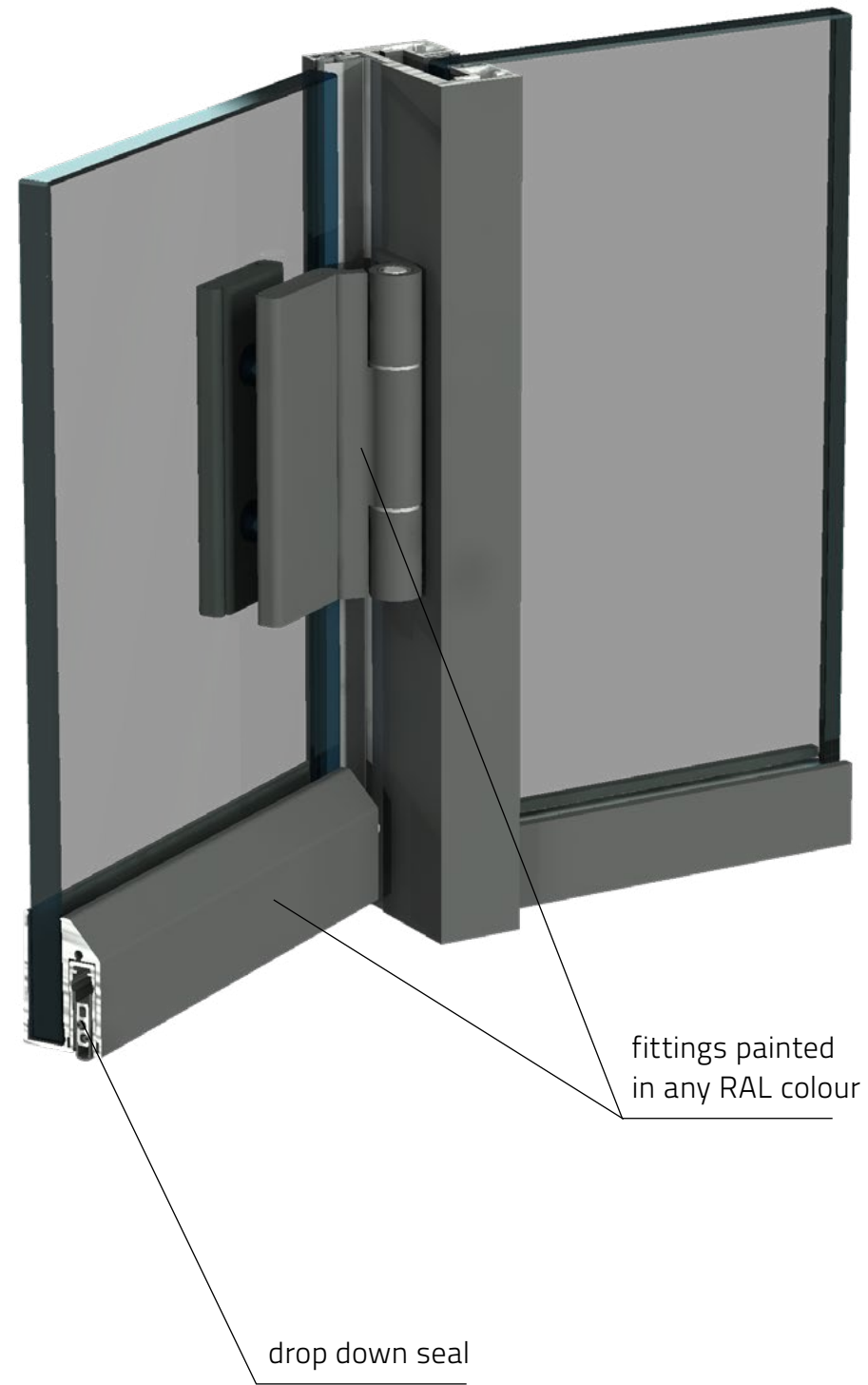
Optional fittings: Access control (electric strike, magnetic strike), external door closer

External hinges

Option of installing blinds

Option of installing sidelights and fanlights above the door frame

Door type	Glazing	Acoustic insulation Rw
All-glass with drop down seal	ESG 10	34 dB



STANDARD DOORS

with aluminium frame

Single- or double-glazed STANDARD doors with aluminium frame. There is an option to install a door closer and access control system. Aluminium frame 53 mm, 55 mm thick, 78 mm, 100 mm. The door can be installed in any assembly opening, also in a glass wall system

SPECIFICATION

Single or double leaf doors

Maximum leaf height 3,000 mm

Door leaf thickness 40 mm

Declared acoustic insulation 34 ÷ 40 dB

Frame profiles and hinges painted in any colour from the RAL palette

Handle in stainless steel finish as standard, door closer in silver anode finish

(can be painted in any RAL colour)

Translucent/frosted/tinted/smoked/LCD glass

Stick-on decorative muntins for single glazing

Structural muntins for double glazing

Optional fittings: Access control (electric strike, magnetic strike), external or concealed door closer

External or concealed hinges

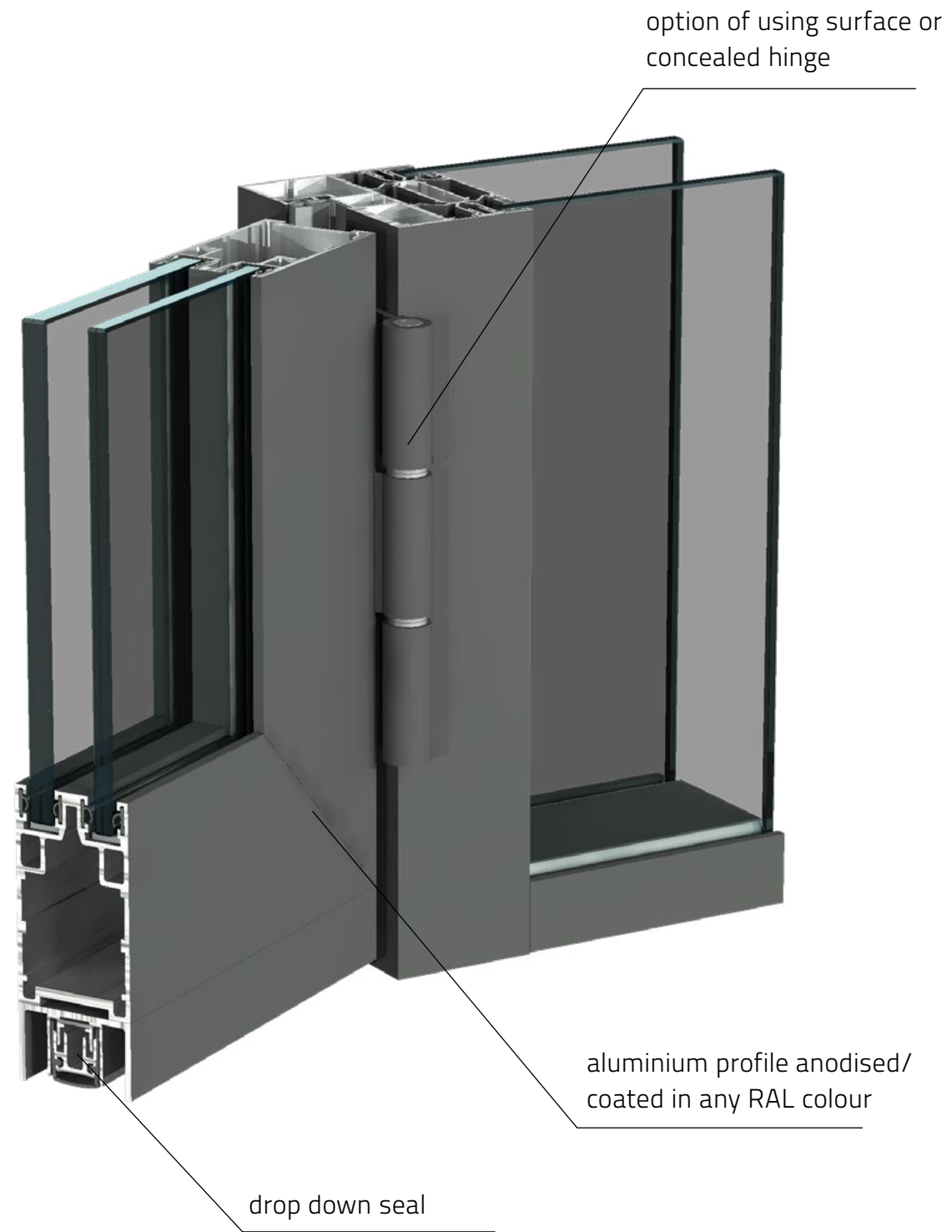
Concealed drop down seals

Option of installing blinds

Option of installing sidelights and fanlights above the door frame

Glazing	Acoustic insulation Rw	RA1
VSG 44.2	Rw = 34 dB	Rw = 34 dB
VSG 55.1	Rw = 35 dB	Rw = 35 dB
VSG 66.2Si	Rw = 37 dB	Rw = 37 dB
VSG 33.2 + VSG 33.2	Rw = 36 dB	Rw = 36 dB
VSG 44.2 + VSG 33.2	Rw = 38 dB	Rw = 38 dB
VSG 66.2Si + Acoustic insert	Rw = 40 dB	Rw = 40 dB

VSG - laminated glass
Si - acoustic foil
(AKU) - acoustic insert for aluminium profiles



STANDARD 78 DOORS

with aluminium frame

Double-glazed STANDARD 78 doors with aluminium frame with two retractable bottom seals. There is an option to install a door closer and access control system. Aluminium frame 78 mm, 100 mm thick. STANDARD 78 doors are facing both sides of the SILENCE system. The door can be installed in any assembly opening, also in a glass wall system.

SPECIFICATION

Single or double leaf doors

Maximum leaf height 3,000 mm

Glass thickness 6 ÷ 12 mm

Door frame profiles painted in any RAL colour

Fittings in stainless steel finish as standard, can be painted in any RAL colour

Transparent/frosted/tinted/smoked/LCD glass

Optional fittings: Access control (electric strike, magnetic strike), external door closer

Concealed hinge

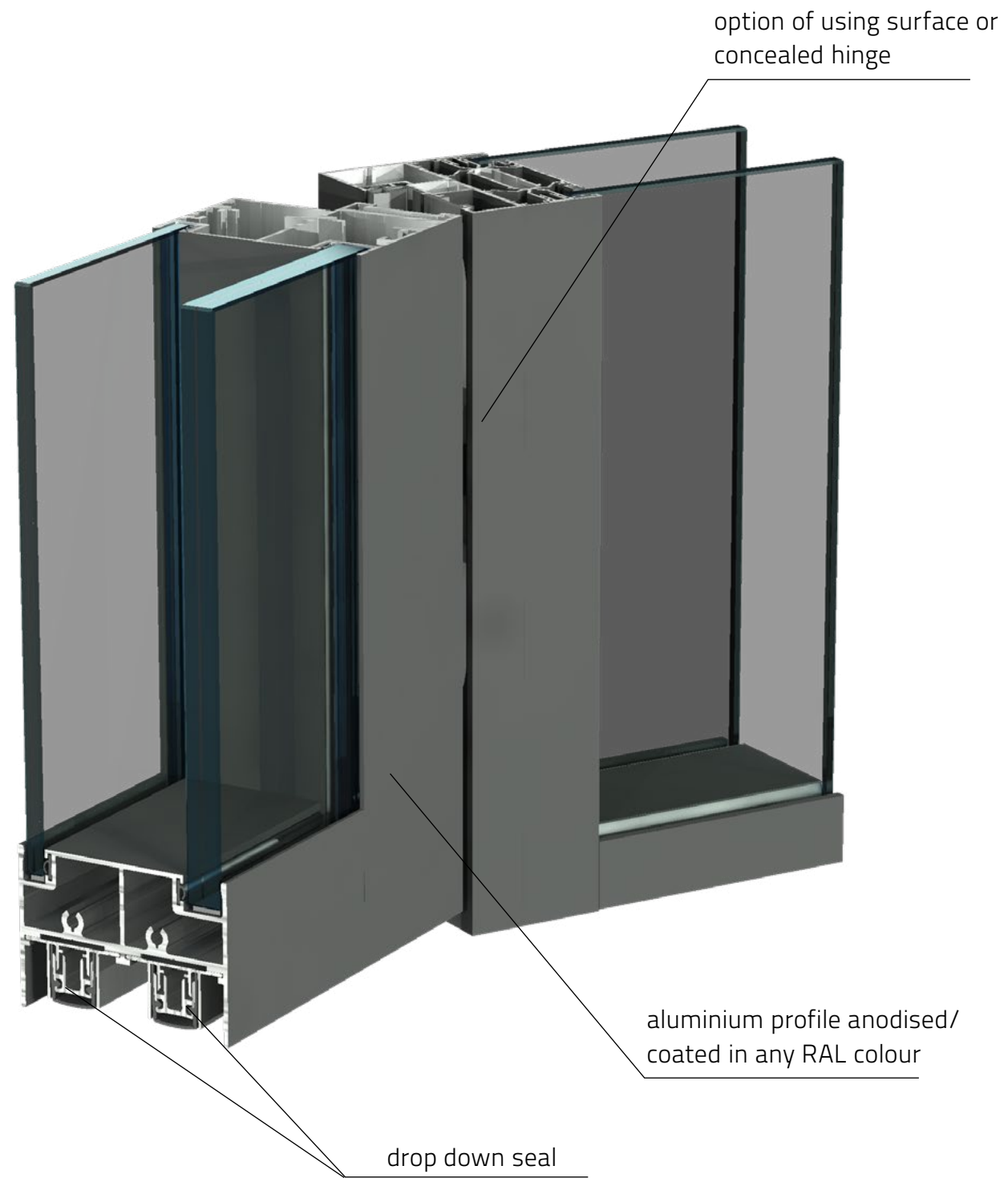
Option of installing blinds

Option of installing sidelights and fanlights above the door frame

Glazing (single leaf)	Acoustic insulation Rw	RA1
VSG 33.1 + VSG 55.1 (two retractable bottom seals)	Rw = 40 dB	39 dB
VSG 33.2 + VSG 66.2Si (two retractable bottom seals)	Rw = 42 dB	41 dB

Glazing (double leaf)	Acoustic insulation Rw	RA1
VSG 33.2 + VSG 66.2Si (two retractable bottom seals)	Rw = 42 dB	41 dB

VSG - laminated glass
Si - acoustic foil



CLASSIC FS DOORS

with aluminium frame

The Classic FS fireproof door is a single or double leaf solution. Filled with AGC Pyrobel 16 (P16), Vetrotech Contraflam 30 or Reglas Pyrobat 15 glazing, their fire rating is EI30/EW30. The leaf width is up to 1,414 mm for the single leaf model and up to 1,114 mm (per leaf) for the double leaf model. There is an option to install an overhead door closer and access control system. The system's width is 78.2 mm. Aluminium frame depth: 70 mm. The door can be installed in any assembly opening, also in a glass wall system.

SPECIFICATION

Single or double doors

Maximum leaf size: 1114 mm x 2720 mm

Door frame profiles painted in any RAL colour

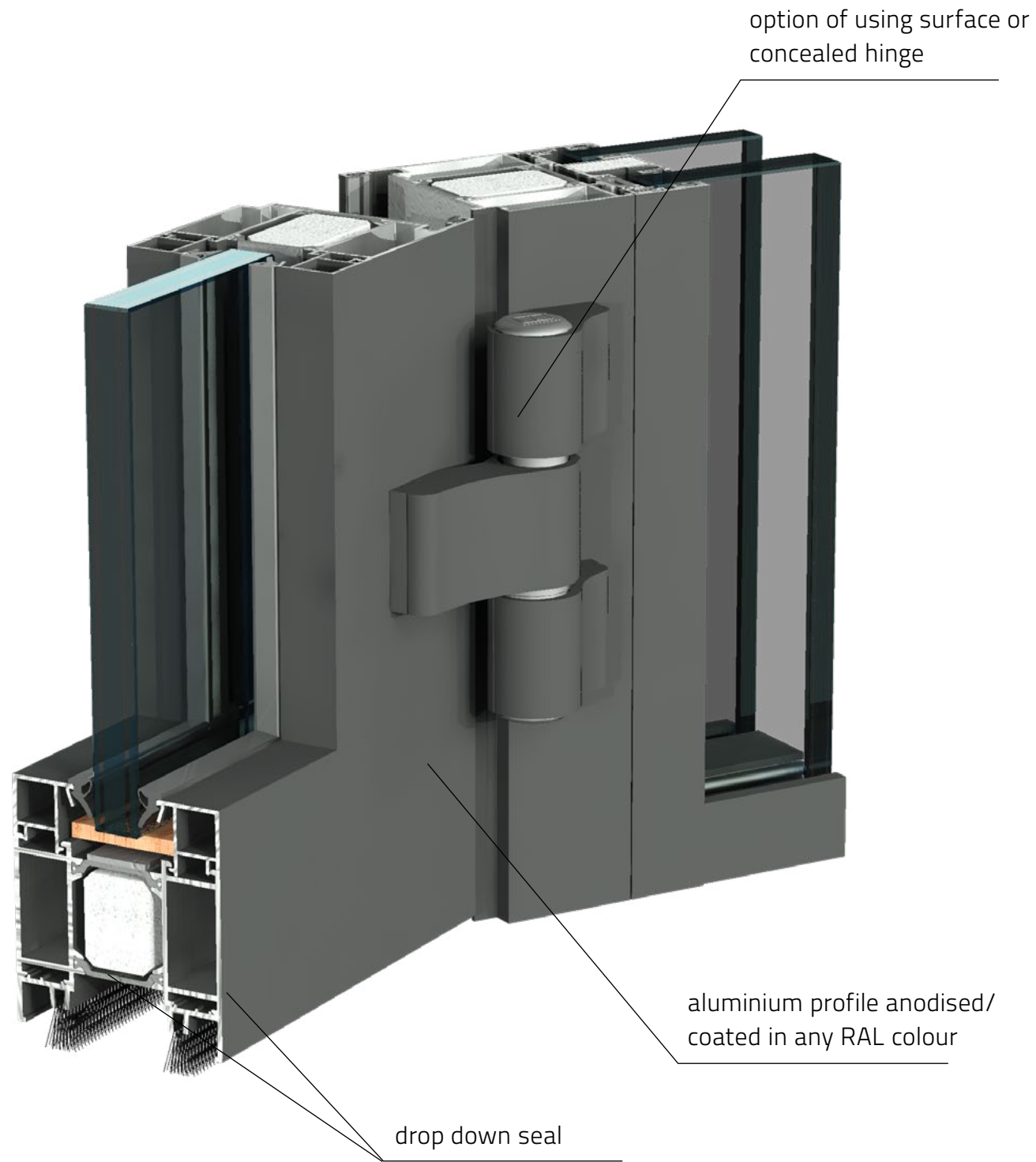
Fittings in silver anodised finish as standard; can optionally be painted in any RAL colour.

Glazing options: AGC Pyrobel 16 (P16), Vetrotech Contraflam 30 or Reglas Pyrobat 15 (with EI30/EW30 fire rating)

Optional fittings: Access control (electric strike, magnetic strike), overhead door closer, single and three-point locks, air actuators

External hinges

Glazing	Acoustic insulation Rw	RA1
AGC Pyrobel 16	Rw = 41dB	40 dB



FLUSH DOORS

Flush doors are made of toughened or laminated glass with thickness of 6 mm or 8 mm. The door has a concealed frame, to which glass is bonded on both sides. There is an option to install a door closer with a guide rail and access control system. Aluminium frame 53 mm, 78 mm and 100 mm thick. The door can be installed in any assembly opening, also in a glass wall system.

SPECIFICATION

Single or double leaf doors

Maximum leaf height 3,000 mm

Leaf thickness 53 mm

Declared acoustic insulation 36 ÷ 43 dB

Frame profiles and hinges painted in any colour from the RAL palette

Handle in stainless steel finish as standard, door closer in silver anode finish

(can be painted in any RAL colour)

Optional fittings: Access control (electric strike, magnetic strike), external door closer

External hinges

Concealed drop down seals

Option of installing blinds

Option of installing sidelights and fanlights above the door frame

Glazing	Acoustic insulation Rw	Acoustic insulation Rw
ESG 6 + ESG 6	Rw = 36 dB	Rw = 34 dB
ESG 6 coated, infill, ESG 6 coated (opaque door)	Rw = 41 dB	Rw = 39 dB
VSG 44.2 + ESG 6 + acoustic insert	Rw = 43 dB	Rw = 42 dB

ESG - toughened glass
VSG - laminated glass



SOLID DOORS

Solid door leaf laminated, veneered or painted. Door leaf thickness 40 mm. Aluminium frame 53 mm, 55 mm thick, 78 mm, 100 mm. There is an option to install door closers and access control systems. There is an option to install the door in both a glass wall and a gypsum wall.

SPECIFICATION

Single or double leaf doors

Maximum leaf height 3,000 mm

Leaf thickness 40 mm

Declared acoustic insulation 32 ÷ 40 dB

Frame profiles and hinges painted in any colour from the RAL palette

Handle in stainless steel finish as standard, door closer in silver anode finish

(can be painted in any RAL colour)

External or concealed hinges

Concealed drop down seals

Optional fittings: Access control (electric strike, magnetic strike), external or concealed door closer

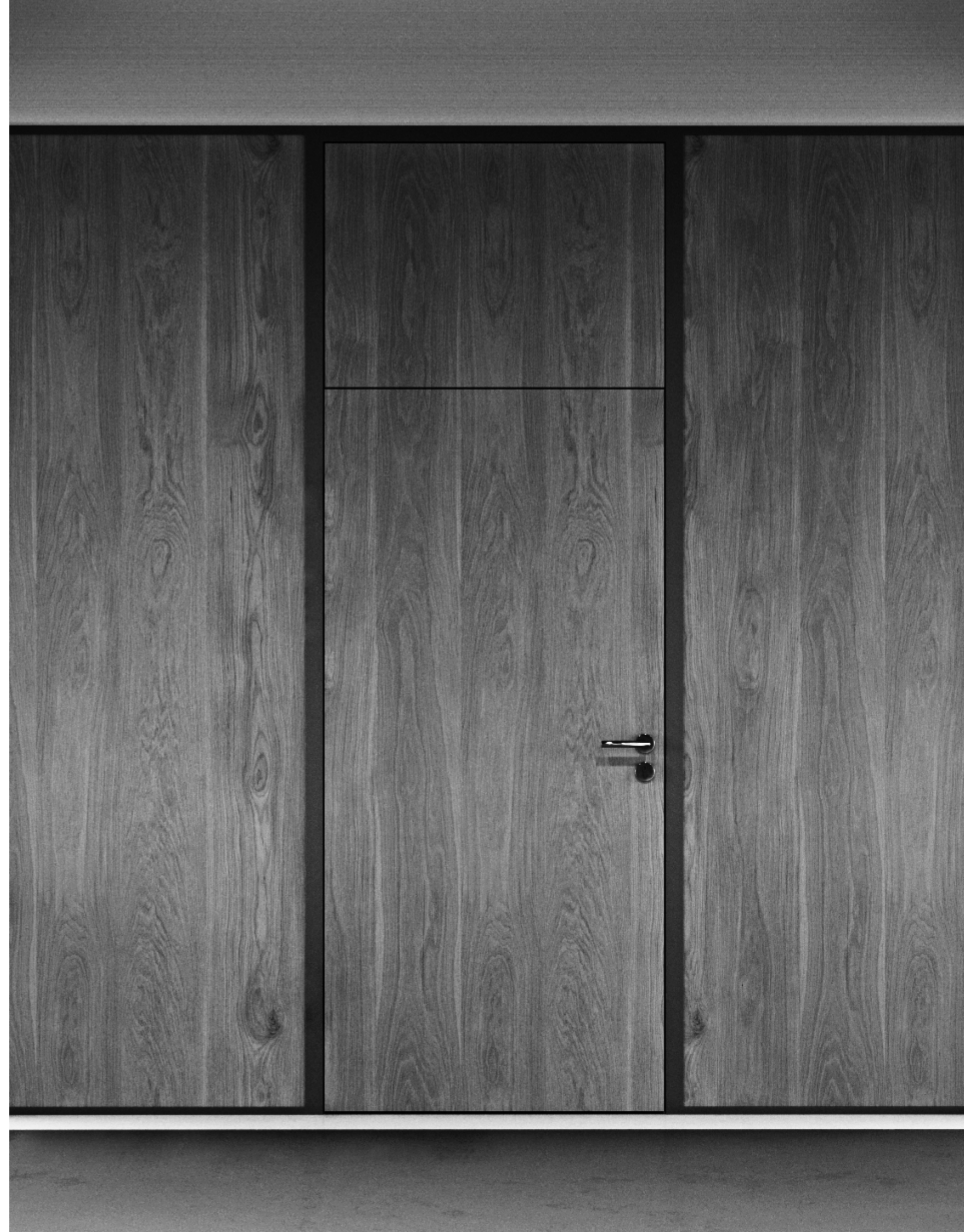
Option of installing sidelights and fanlights above the door frame

Infill

Acoustic insulation Rw

Full surface infill

32, 38, 40 dB



The top-left corner of the page features a series of thin white lines that intersect to form a grid-like pattern. These lines extend from the top edge and curve downwards and to the right, creating a sense of depth and architectural structure.

ACCESSORIES

FITTINGS AND ACCESSORIES

The classic shapes of the fittings blend well with the glass and fit perfectly into any home. The Studio Rondo range is available in a number of mounting variants to suit the needs and tastes of the customer. The various surface finishes and materials used allow this range to be used in both residential and office spaces.

DOOR HANDLES

SPECIFICATION

Classic shape of the handle and escutcheon

Handle combined with escutcheon

Meets EN 1906 standard Class 3

Corrosion protection Class 4

Integrated handle return mechanism in the escutcheon

Surface finish: matt stainless steel

For leaf thickness: 38-60 mm



FITTINGS

SPECIFICATION

Classic range that suits any room

System designed for 8-10mm thick glass, door weight up to 60kg

Designed for leaf width up to 1000mm

Different ways of closing doors

Standard and special surface finishes



HINGES

SPECIFICATION

Hinge for Glass Pane WTA/WTB

The Hinge for Glass Pane is a modern design product

Maximum load capacity for three hinges 90kg, for two hinges 60kg



DOOR CLOSER

SPECIFICATION

TS 92/91 – external door closer with guide rail

The modern design of "Contur Design" combined with functionality thanks to modern "EASY OPEN" technology makes it one of the best guide rail door closers for single and double leaf standard, fire- and smoke-resistant doors.

Meets EN 1154 standard.

Meets the requirements of DIN SPEC 1104 standard

Installation independent of the type of door leaf thanks to a wide range of accessories



The image features a black background with several thin white lines. On the left side, there is a vertical line that extends from the bottom to the top. From the top of this line, two diagonal lines extend upwards and to the left, meeting at a point. Another vertical line is positioned to the right of the first one, extending from the top to the bottom. A long diagonal line starts from the top right corner and extends towards the bottom left, crossing the vertical line on the right. The text 'COLOURS AND LAMINATES' is positioned in the lower right quadrant of the image.

**COLOURS
AND
LAMINATES**

COLOURS LAMINATES VENEERS

Option of coating in any RAL colour, wood-based laminates and veneers.
* On request: anodising, use of colours outside the RAL palette, powder coating to imitate the appearance of wood, stone, etc.





reddot winner 2024



URZĄD PATENTOWY
RZECZYPOSPOLITEJ POLSKIEJ



reddot winner 2021





Vitrintec Sp. z o.o.

ul. Olszewskiego 23
25-663 Kielce
(+41) 278 72 34
NIP: 959-196-70-51
REGON: 363072320

office@vitrintec.pl
www.vitrintec.pl