

VITRINTEC®
wall solutions

Trust us,
we make it simple.



Vitrintec Sp. z o.o.

ul. Olszewskiego 23
25-663 Kielce POLAND
+48 41 278 72 34
biuro@vitrintec.pl

www.vitrintec.pl

VITRINTEC®
wall solutions

2025 **EN**

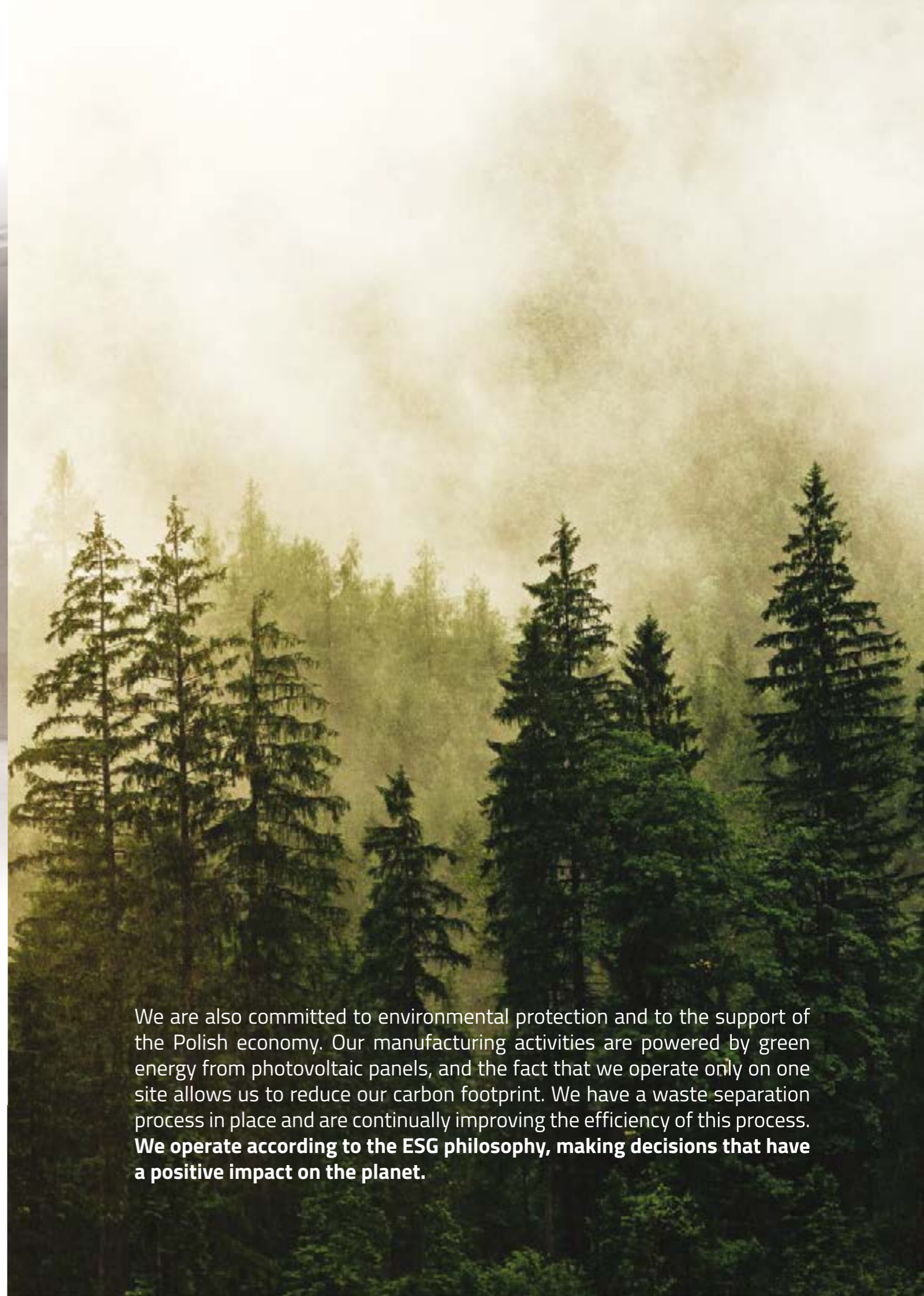
Vitrintec
ABOUT US



Investor: Just Jon IT, Projekt: MKCF Architektura
Foto: Fotomohito

We are a manufacturer and distributor of advanced aluminium and glass systems. All of our systems are designed with ease of installation in mind, ensuring a quick and straightforward process for our customers.

Vitrintec products offer a harmonious blend of subtle design and exceptional technical performance, including sound insulation and fire resistance. Our systems have undergone rigorous national and European KOT and ETA technical assessments, ensuring they meet the highest quality and safety standards. We use the latest machinery to produce precision aluminium profiles and glass treatments. As a global company, we have a local approach: think globally, act locally. Our Research and Development (R&D) Department is committed to continuous product improvement and the development of innovative solutions that align with the ever changing market requirements.



We are also committed to environmental protection and to the support of the Polish economy. Our manufacturing activities are powered by green energy from photovoltaic panels, and the fact that we operate only on one site allows us to reduce our carbon footprint. We have a waste separation process in place and are continually improving the efficiency of this process. **We operate according to the ESG philosophy, making decisions that have a positive impact on the planet.**



Vitrintec
**ALUMINIUM AND GLASS
SYSTEMS**

System PURE



Rw up to 39 dB



Easy and quick to install



100% transparency effect



PURE is Vitrintec's flagship product, dedicated to the spaces where high aesthetic standards and functionality are required. It is an interior glazed wall system designed to achieve maximum translucency. The aluminium profiles, which have a depth of 22 mm and a height of 25 mm or 30 mm, provide a subtle appearance while maintaining structural stability. The use of concealed seals serves to reinforce this minimalist visual effect. The system is completed by the addition of laminated or toughened safety glass, available in thicknesses ranging from 10 mm to 12 mm. The PURE system allows for the installation of glass walls up to a height of 3,500 mm, with sound insulation levels ranging from Rw 33 dB to Rw 39 dB.

Single-glazed system

Structural profiles 25 or 30 mm high and 22 mm wide in any RAL colour

Maximum height 3500 mm

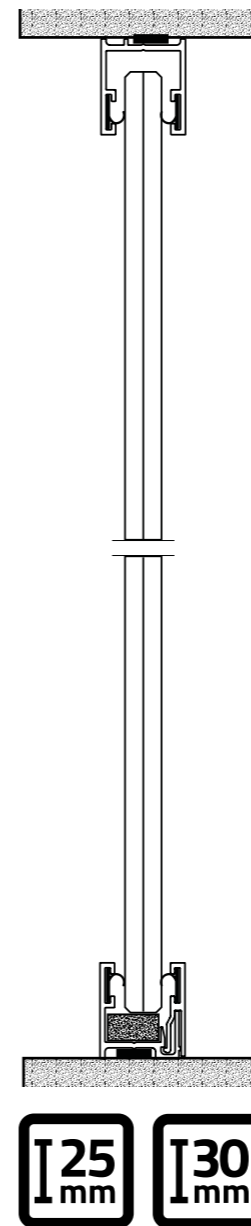
Aesthetic and minimalist design

Invisible gaskets

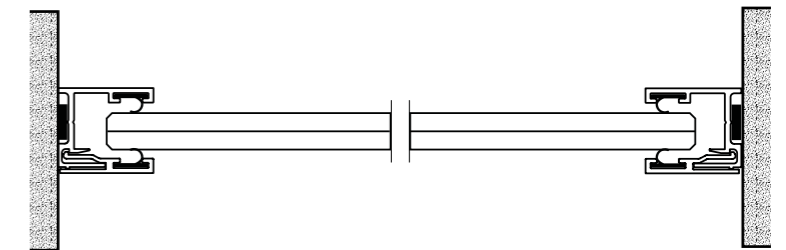
National Technical Assessment: ITB-KOT-2021/0816

European Technical Assessment: ETA- 21/0430

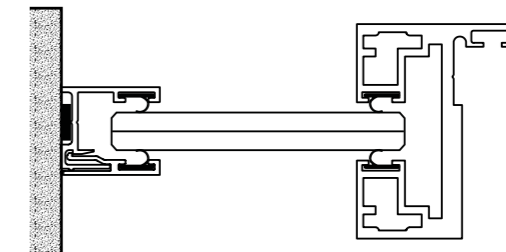
System Pure
Vertical



System Pure
Horizontal



System Pure with doorframe
Horizontal



System Pure
Type of filling

Glazing	VSG 55.1	VSG 55.2Si	VSG 66.1	VSG 66.2Si	VSG 66.2Si + Acoustic insert
Acoustic insulation Rw	33dB	36dB	36dB	38dB	39dB

System PURE AS



Rw up to 41 dB



Stable construction



Modern design



The PURE AS is a single-glazed partition wall system that provides acoustic insulation of Rw 41 dB. Profiles with a height of 30 mm and a depth of 40 mm guarantee a stable structure, and the partition wall in this system can reach a height of up to 3200 mm and act as a partition on the entresol. The aluminium profiles are powder-coated in any RAL colour, allowing them to perfectly match their appearance to any interior design.

Single glazed system

Profiles 30 mm high and 40 mm deep in any RAL colour

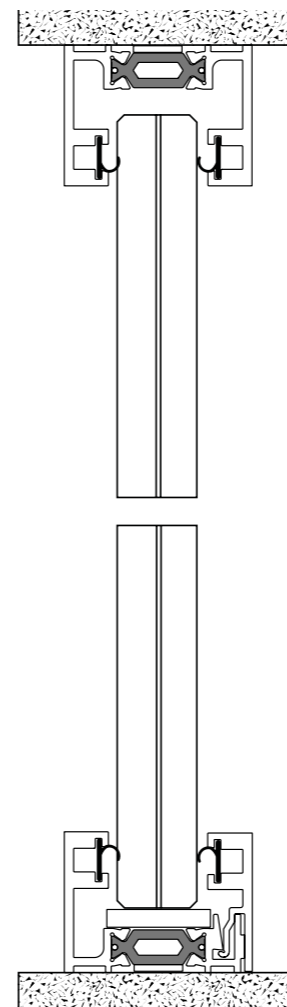
Maximum height 3200 mm

Can be installed as a partition on a mezzanine floor

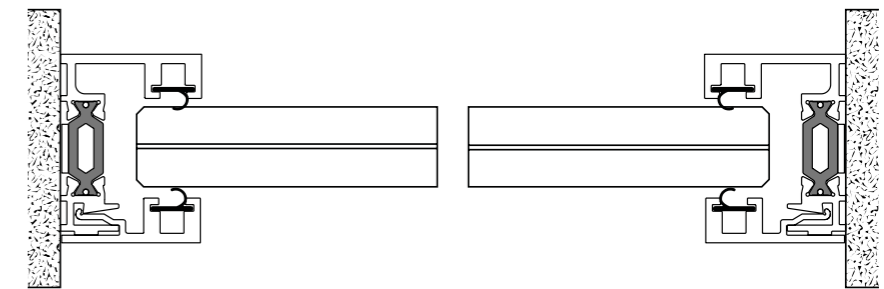
Possibility of adding stick-on muntins

National Technical Assessment: ITB-KOT-2019/0978

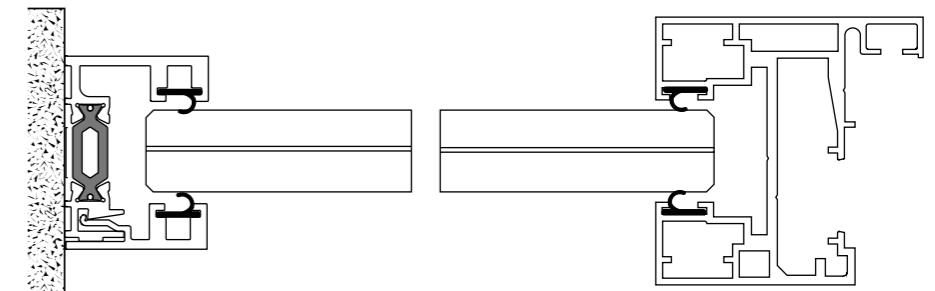
System Pure AS
Vertical



System Pure AS
Horizontal



System Pure AS with doorframe
Horizontal



System Pure AS
Type of filling

Glazing	VSG 88.2Si + Acoustic insert
Acoustic insulation Rw	41 dB

System SILENCE



Rw up to 49 dB



Single or double-glazed system



Profiles in any RAL colour



The SILENCE system offers the unique advantage of allowing customers to choose between single and double glazing, providing the flexibility to adapt to any layout configuration and complex space arrangements. The SILENCE system is the ideal choice for projects where acoustic insulation and modern design are a priority. Its aluminium profiles, available in 25 mm or 30 mm height and 78 mm depth with concealed seals, have been precisely tailored to create a robust and stylish partition wall. The system offers excellent acoustic insulation (Rw 40 dB* - 49 dB) and is ideal for projects where acoustic insulation and modern design are a priority.

Double or single-glazed system

Structural profiles 25 or 30 mm high and 78 mm wide in any colour from the RAL palette

Maximum height 3500 mm

Filled with laminated or tempered safety glass 10 mm or 12 mm thick

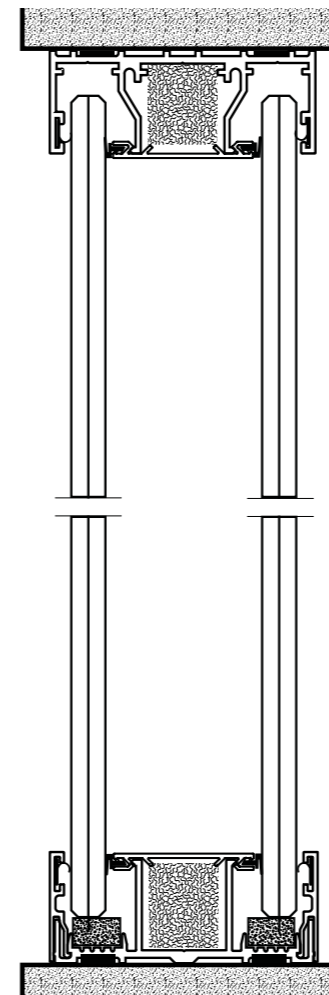
Invisible gaskets

National Technical Assessment: ITB-KOT-2021/1816

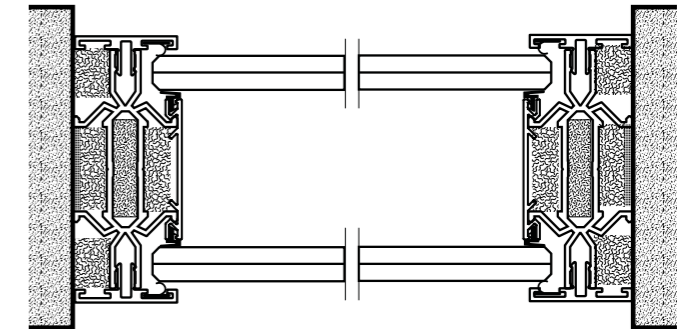
European Technical Assessment: ETA- 21/0430

* Acoustic insulation of Rw 40 dB is only available in the single-glazed system.

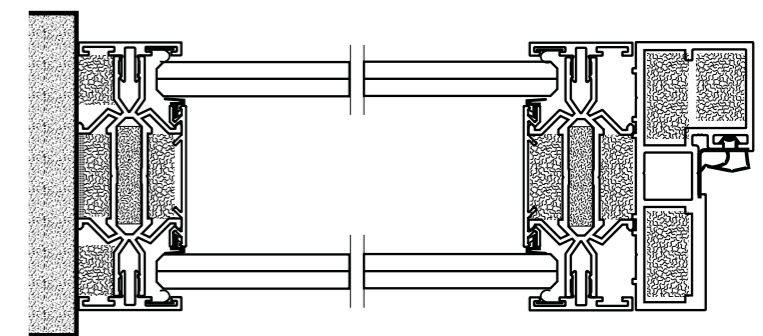
System Silence
Vertical



System Silence
Horizontal



System Silence with doorframe
Horizontal



System Silence
Type of filling

Glazing	VSG 55.1 + ESG 12	VSG 55.1 + VSG 66.1	VSG 66.1 + VSG 66.1	VSG 55.2 + VSG 66.2	VSG 66.2Si + VSG 66.1	VSG 55.2Si + VSG 66.2Si	VSG 66.2Si + VSG 66.2Si + Acoustic insert
Acoustic insulation Rw	43 dB	43 dB	44 dB	45 dB	45 dB	47 dB	49 dB

System ULTRA SILENCE



Rw up to 52 dB



Easy and quick to install



For demanding interiors



ULTRA SILENCE is a double-glazed, no-muntin structure that sets new standards for acoustics (Rw 44 dB - 52 dB) and aesthetics in interior design. Thanks to these parameters, the ULTRA SILENCE system is able to guarantee peace and discretion even in the most discerning spaces. The aluminium profiles, which have a depth of 100 mm and a height of 25 mm or 30 mm, provide a solid yet lightweight structure, which is further enhanced by the concealed seals. ULTRA SILENCE system allows glazing to be created with a maximum height of 3,500 mm, providing optimal light and space while maintaining the highest acoustic performance.

Double-glazed system

Structural profiles 25 or 30 mm high and 100 mm wide in any colour from the RAL palette

Maximum height 3500 mm

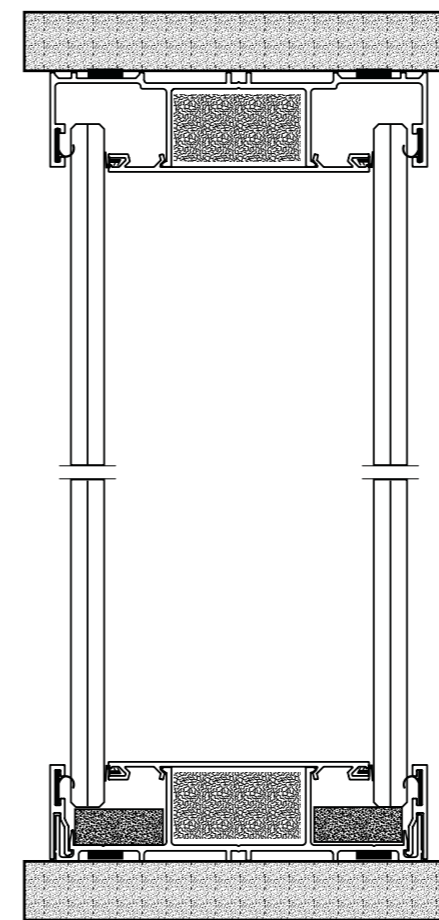
Aesthetic and minimalist design

Invisible gaskets

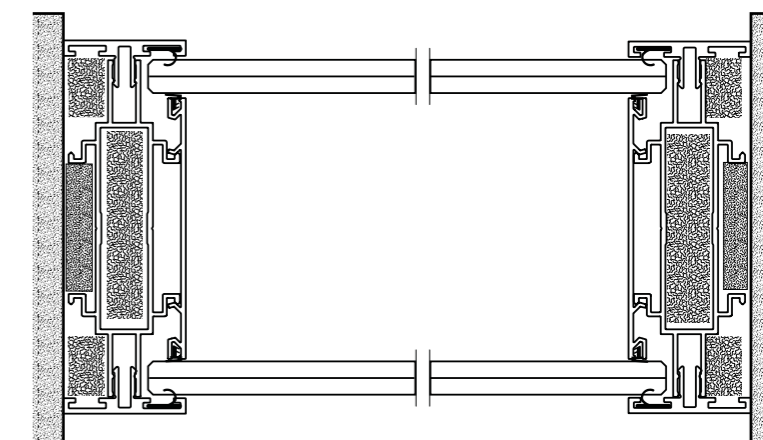
National Technical Assessment: ITB-KOT-2021/1816

European Technical Assessment: ETA- 21/0430

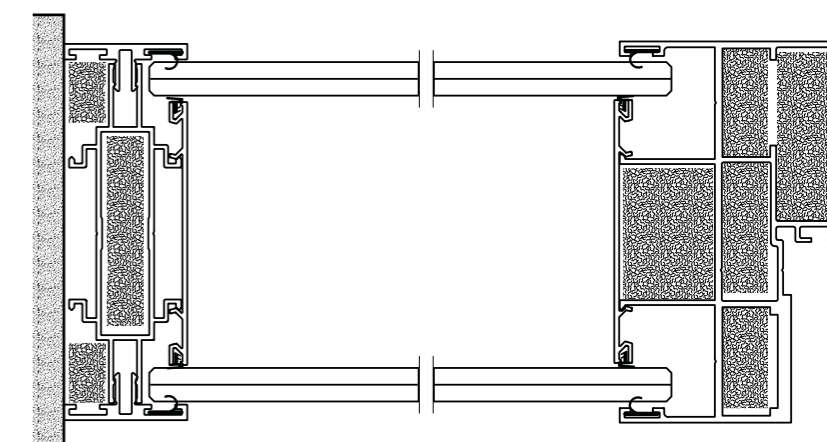
System Ultra Silence
Vertical



System Ultra Silence
Horizontal



System Ultra Silence with doorframe
Horizontal



System Ultra Silence
Type of filling

Glazing	VSG 55.1 + ESG 10	VSG 55.1 + VSG 66.1	VSG 66.1 + VSG 66.1	VSG 66.2Si + VSG 66.1	VSG 55.2Si + VSG 66.2Si	VSG 66.2Si + VSG 66.2Si + Acoustic insert
Acoustic insulation Rw	44 dB	44 dB	44 dB	47 dB	48 dB	52 dB

System IN SILENCE



Rw up to 53 dB



Supports
acoustic comfort



Elegant design



The IN SILENCE system with a double glazing system will prove its worth wherever **acoustic comfort is important** (the acoustic insulation of this system is Rw 53 dB). The structural profiles, with a width of 125 mm and a height of 30 mm, give the system an elegant and modern character, while an option of choosing open or closed frames and various options of hinge installation allow for flexibility in adapting to the specific requirements of each project.

Double-glazed system

Structural profiles 30 mm high and 125 mm wide

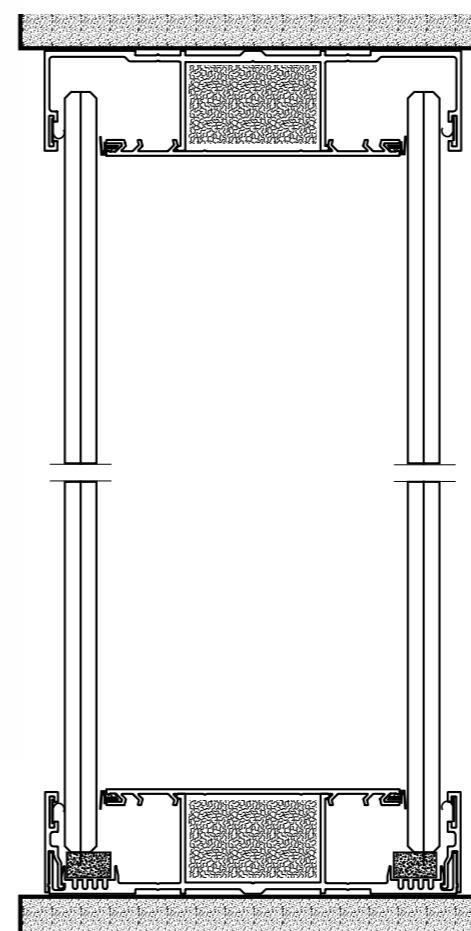
Maximum height 3500 mm

Aluminium profiles: powder-coated according to RAL palette

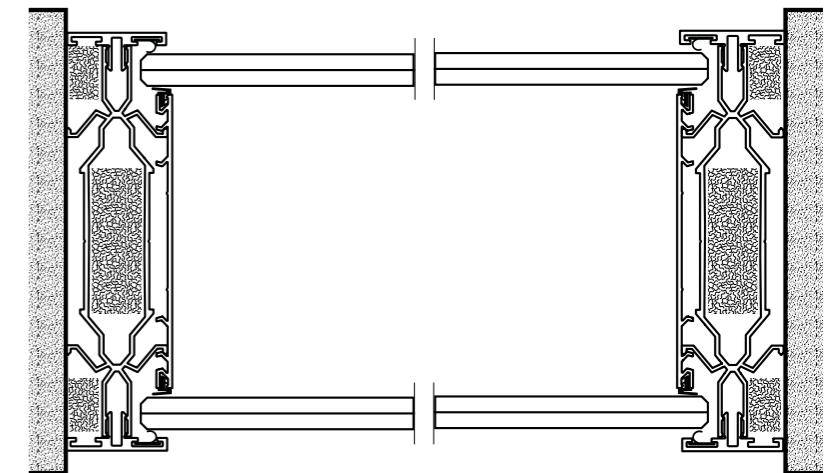
Aesthetic and minimalist design

Invisible gaskets

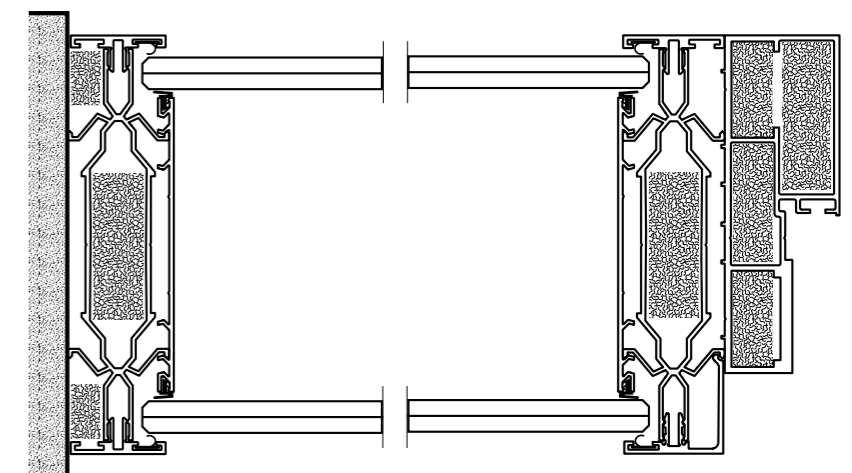
System In Silence
Vertical



System In Silence
Horizontal



System In Silence with doorframe
Horizontal



System In Silence
Type of filling

Glazing	VSG 66.2Si + VSG 66.2Si + Acoustic insert
Acoustic insulation Rw	53 dB

System PURE LOFT



Rw up to 39 dB



Easy and quick to install



Any arrangement of muntins



The PURE LOFT system is a solution designed to create an industrial-style space.

Decorative muntins, applied to the glass sheet either vertically or horizontally, allow the user to achieve a customized loft decoration. Furthermore, the PURE LOFT system enables the integration of an installation mullion on the frame profile, thereby offering greater flexibility in interior design. The profiles, which have a height of 25 mm or 30 mm and a depth of 22 mm, as well as sound insulation parameters of Rw 33 dB - 39 dB, make this system an ideal solution for modern office environments.

Single-glazed mullion system

Structural profiles 25 or 30 mm high and 22 mm wide in any colour from the RAL palette

Maximum height 3500 mm

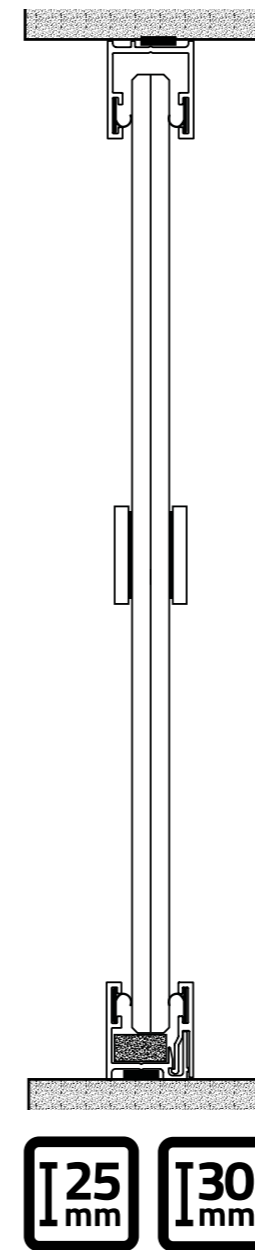
A possibility to install both horizontal and vertical mullions

Invisible gaskets

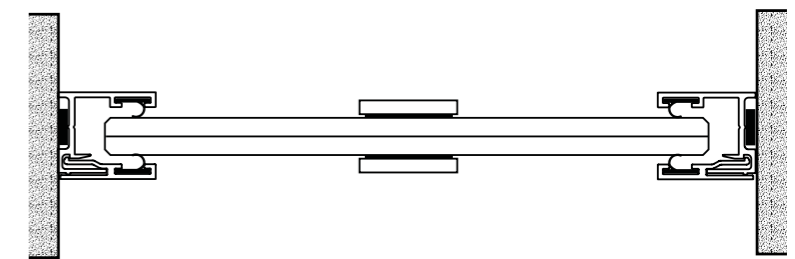
National Technical Assessment: ITB-KOT-2021/1816

European Technical Assessment: ETA- 21/0430

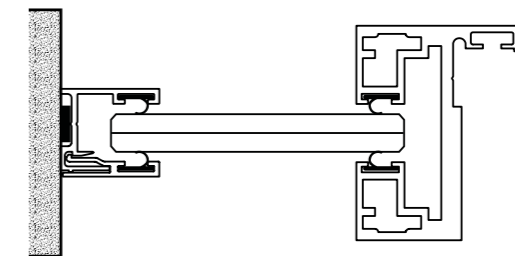
System Pure Loft
Vertical



System Pure Loft
Horizontal



System Pure Loft with doorframe
Horizontal



System Pure Loft
Type of filling

Glazing	VSG 55.1	VSG 55.2Si	VSG 66.1	VSG 66.2Si	VSG 66.2Si + Acoustic insert
Acoustic insulation Rw	33 dB	36 dB	36 dB	38 dB	39 dB

System SILENCE LOFT



Rw up to 53 dB



Profiles and muntin bars painted in any RAL colour



Industrial style



The SILENCE LOFT system is an industrial aluminium and glass solution that can be easily customised to suit a range of design requirements. The painting of profiles and muntins in any RAL colour and the option of using a smart LCD film with variable translucency allow the walls to be designed to be functional and to match the style of the entire interior. The system is defined by profiles that are 25 mm or 30 mm high and 78 mm deep, as well as high acoustic parameters reaching Rw 53 dB. A wall in the SILENCE LOFT system can reach a height of up to 4036 mm.

Double or single-glazed system

Structural profiles 25 or 30 mm high and 78 mm wide in any colour from the RAL palette

Maximum height 4036 mm

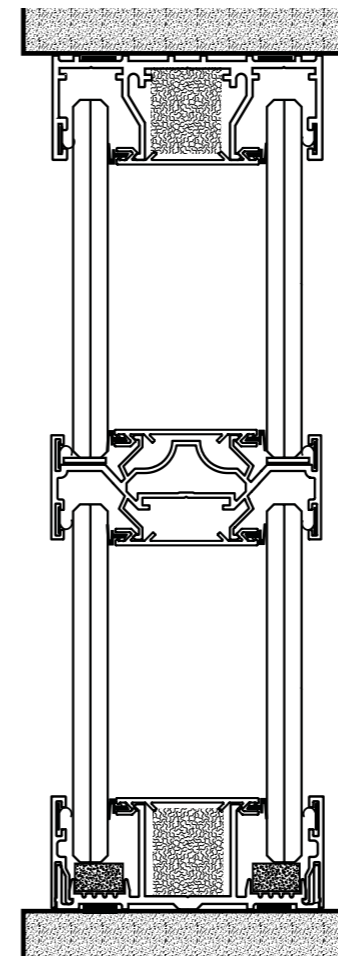
Aesthetic and minimalist design

A possibility to install both horizontal and vertical mullions

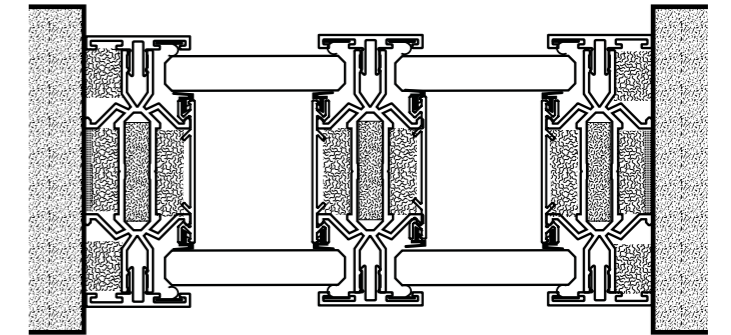
National Technical Assessment: ITB-KOT-2019/1191

European Technical Assessment: ETA- 20/0885

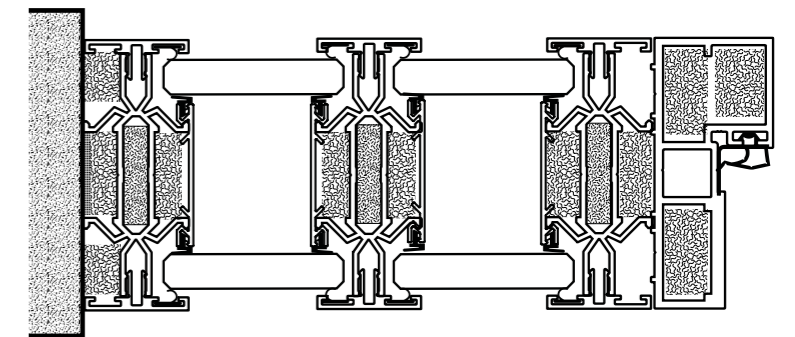
System Silence Loft
Vertical



System Silence Loft
Horizontal



System Silence Loft with doorframe
Horizontal



System Silence Loft
Type of filling

Glazing	VSG 33.1 + VSG 33.1	VSG 33.1 + VSG 55.1	ESG 12 + ESG 12	VSG 44.2 + VSG 44.2 + Acoustic insert	VSG 55.2Si + VSG 66.2Si	VSG 66.2Si + VSG 66.2Si + Acoustic insert
Acoustic insulation Rw	40dB	43dB	44dB	46dB	48dB	52dB

Filling	2x VSG 66.2Si + Mineral wool + Acoustic insert
Acoustic insulation Rw	53dB

System ULTRA SILENCE LOFT



Rw up to 57 dB



Highest acoustic parameters



Stable construction



The **ULTRA SILENCE LOFT** system is a double-glazed aluminium and glass system with structural muntins that combines modern design with functionality. The robust profiles, available in heights of 25 mm or 30 mm and a width of 100 mm, provide a stable structure, ideal for offices or commercial spaces. The ULTRA SILENCE LOFT system is distinguished by excellent acoustic insulation, reaching up to Rw 57 dB, making it the optimal choice for interiors where silence is of the utmost importance. Additional noteworthy features include concealed gaskets and the option to change the colour of profiles and muntins.

Double-glazed mullion system

Structural profiles 25 or 30 mm high and 100 mm wide in any colour from the RAL palette

Maximum height 4036 mm

Aesthetic and minimalist design

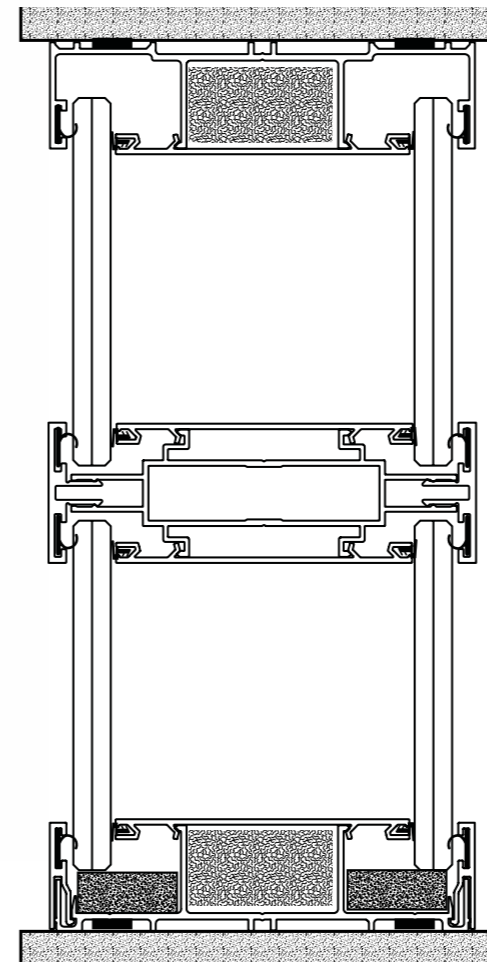
A possibility to install both horizontal and vertical mullions

Invisible gaskets

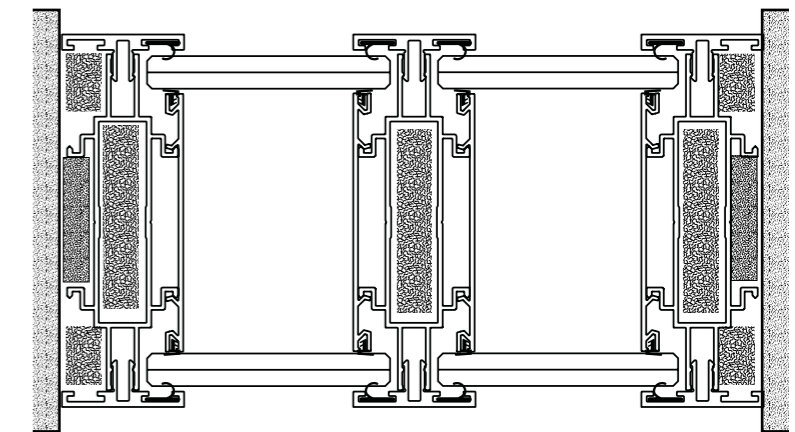
National Technical Assessment: ITB-KOT-2019/1191

European Technical Assessment: ETA- 20/0885

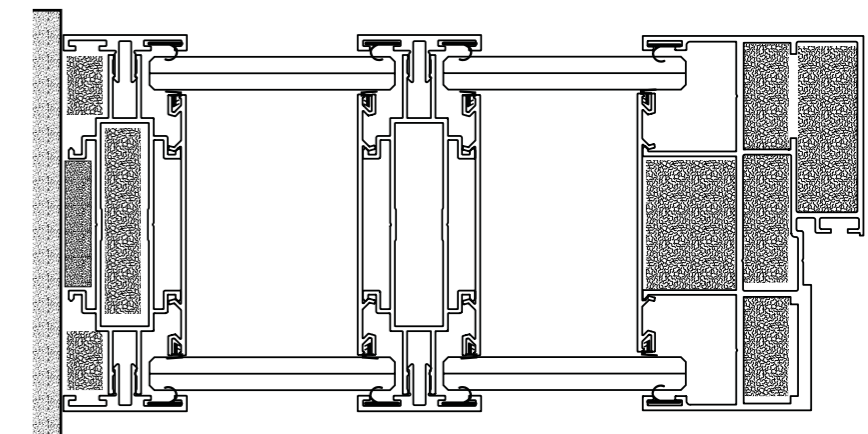
System Ultra Silence Loft
Vertical



System Ultra Silence Loft
Horizontal



System Ultra Silence Loft with doorframe
Horizontal



System Ultra Silence Loft
Type of filling

Glazing	VSG 33.1 + VSG 33.1 +Acoustic insert	VSG 33.1 + VSG 44.2 +Acoustic insert	ESG 10 + ESG 12 +Acoustic insert	VSG 44.2 + VSG 44.2 +Acoustic insert	VSG 44.2 + VSG 66.2Si +Acoustic insert	VSG 55.2Si + VSG 66.2Si +Acoustic insert	VSG 66.2Si + VSG 66.2Si +Acoustic insert
Acoustic insulation Rw	43dB	46dB	47dB	47dB	50dB	52 dB	52 dB

Filling	2x MDF 12 + Mineral wool +Acoustic insert	2x (GK+ Bl.) + Mineral wool +Acoustic insert
Acoustic insulation Rw	46dB	57 dB

System PURE FS



Rw up to 40 dB



100% transparency effect



Fire resistance EI30/EW30



The PURE FS system is a single-glazed solution for EI30/EW30 fire-rated glazed walls that offers enhanced security while maintaining an elegant and spacious aesthetic appearance. The 30 mm high, 40 mm wide profile design minimises visible aluminium components, providing a 100% see-through effect, while concealed seals enhance this impression. Furthermore, the PURE FS system facilitates acoustic comfort for users, offering sound insulation of Rw 38 dB - 40 dB. Glass walls in this system are an optimal choice for modern interiors, where aesthetics and fire protection requirements must be considered simultaneously.

Single-glazed system

Structural profiles 30 mm high and 40 mm wide in any colour from the RAL palette

Maximum height 3000 mm

Fire resistance EI30/EW30

Aesthetic and minimalist design

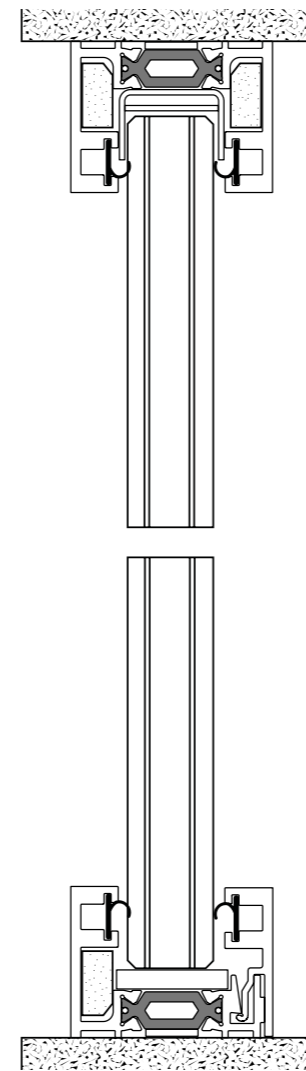
Invisible gaskets

National Technical Assessment: ITB-KOT-2019/0978

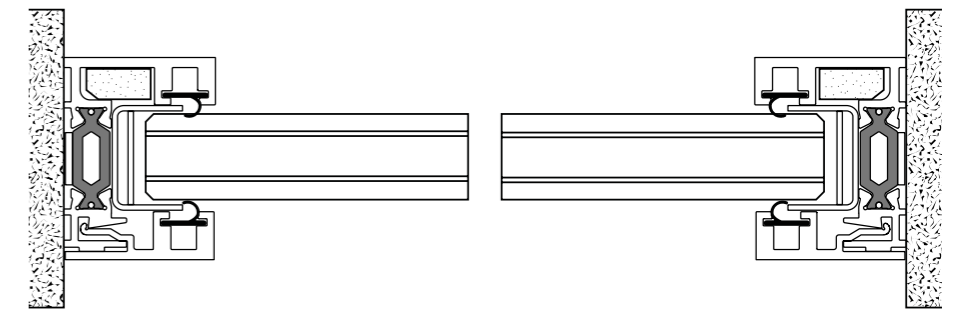


reddot winner 2021

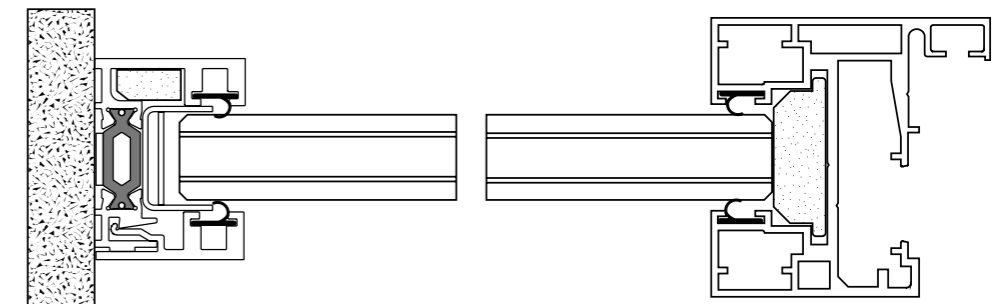
System Pure FS
Vertical



System Pure FS
Horizontal



System Pure FS with doorframe
Horizontal



System Pure FS
Type of filling

Glazing	Vetrotech CS 30	AGC Pyrobel 16VL	AGC Pyrobel 16EG
Acoustic insulation Rw	38dB	38dB	40dB

System SILENCE FS



Rw up to 46 dB



Easy and quick to install



Fire resistance EI30/EW30



The SILENCE FS system enables the design of a safe and stylish space. The system is characterised by a double-glazed structure and profiles with a height of 30 mm and a depth of 78 mm. It is a system that guarantees safety during fire outbreak, with fire resistance rated EI30/EW30. Thanks to concealed seals, it is suitable for all types of interiors, and an option of painting the profiles in any RAL colour further emphasises its versatility. In addition to offering fire resistance, the SILENCE FS system provides users with effective noise reduction. Its acoustic insulation of Rw 43 dB - 46 dB ensures rooms are soundproofed, enhancing user comfort when working or resting.

Double-glazed system

Structural profiles 30 mm high and 78 mm wide in any colour from the RAL palette

Maximum height 3200 mm

Fire resistance EI30/EW30

Aesthetic and minimalist design

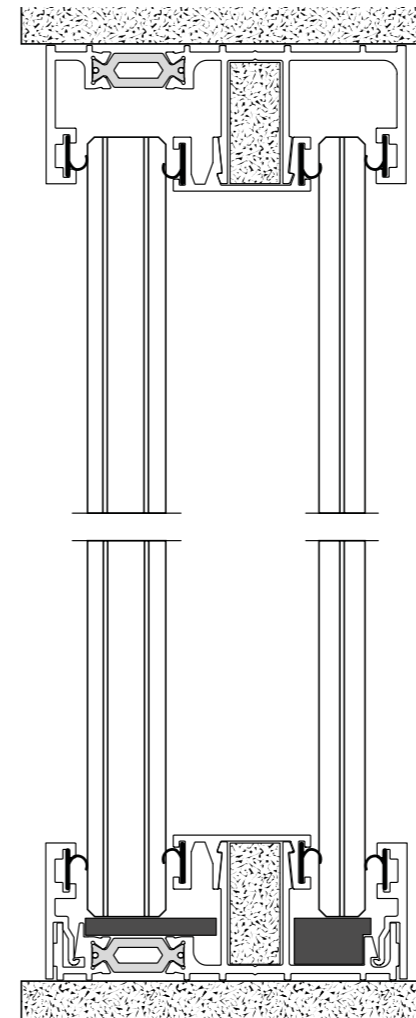
Invisible gaskets

National Technical Assessment: ITB-KOT-2019/0978

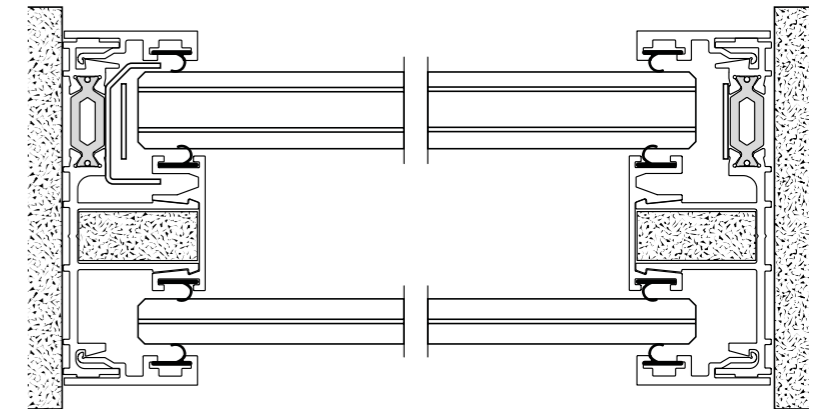


reddot winner 2021

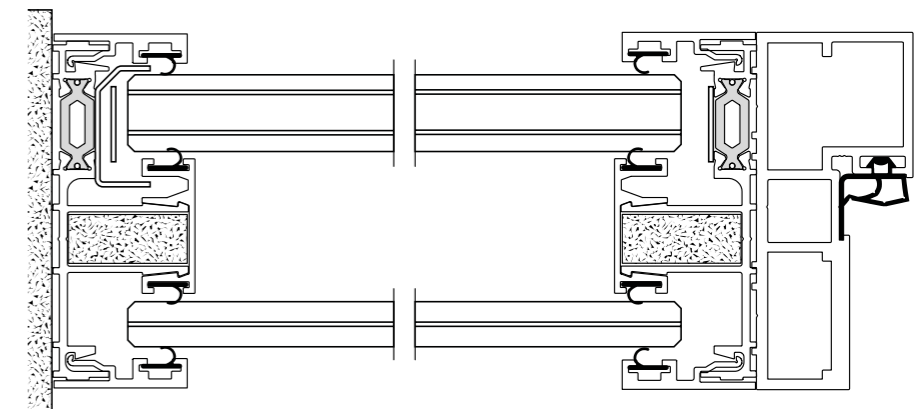
System Silence FS
Vertical



System Silence FS
Horizontal



System Silence FS with doorframe
Horizontal



System Silence FS
Type of filling

Glazing	Vetrotech CS 30 + VSG 55.1	Vetrotech CS 30 + VSG 66.2Si	AGC Pyrobel 16VL + VSG 55.1	AGC Pyrobel 16VL + VSG 66.2Si	AGC Pyrobel 16EG + VSG 66.2Si
Acoustic insulation Rw	43 dB	46 dB	43 dB	45 dB	46 dB

System ULTRA SILENCE FS

-  Rw up to 50 dB
-  Modern design
-  Fire resistance
EI30/EW30
and EI60/EW60



ULTRA SILENCE FS is a double-glazed fire-resistant system with an elegant design. With a height of 30 mm and a width of 100 mm, the profiles of this system provide stability while remaining visually light. ULTRA SILENCE FS also offers excellent acoustic performance of up to 50 dB. Walls in this system improve working or resting conditions by muffling sounds and soundproofing the space. The fire resistance of the ULTRA SILENCE FS system in the EI30/EW30 and EI60/EW60 classes ensures safety, while concealed seals improve the aesthetics of the profiles. The system combines precision craftsmanship, modern design and stability to develop a reliable solution for offices and commercial spaces.

Double-glazed system

Structural profiles 30 mm high
and 100 mm wide in any colour from the RAL palette

Maximum height 3200 mm

Fire resistance EI30/EW30 and EI60/EW60

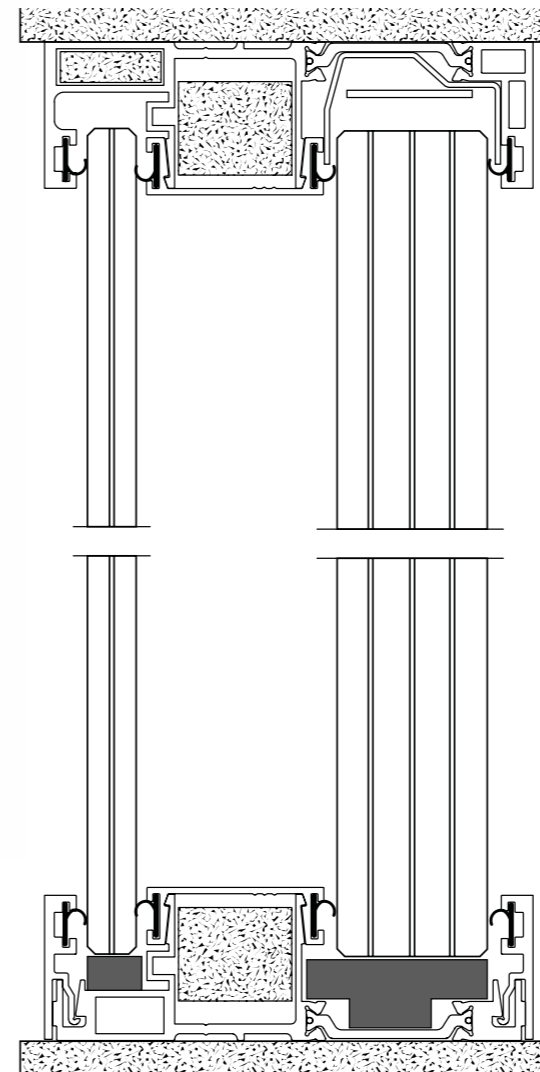
Aesthetic and minimalist design

Invisible gaskets

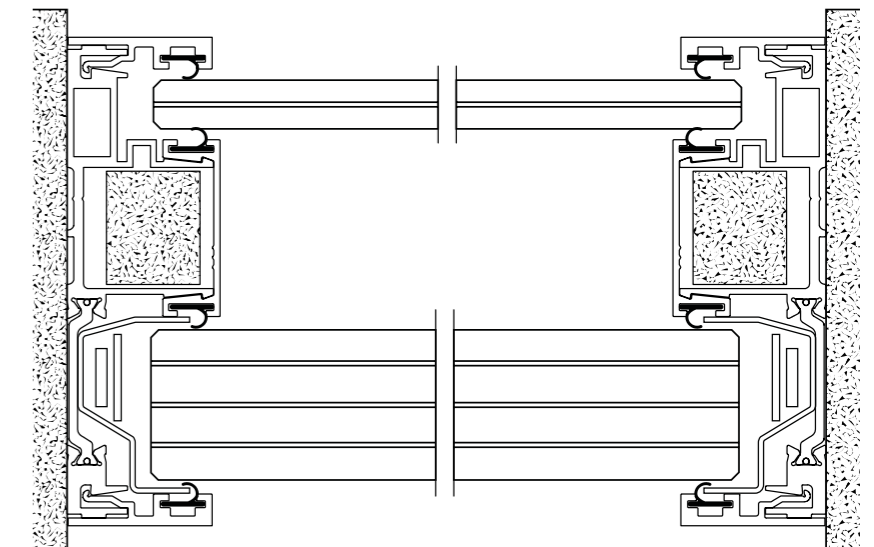
National Technical Assessment: ITB-KOT-2019/0978

European Technical Assessment: ETA- 24/0699

System Ultra Silence FS
Vertical



System Ultra Silence FS
Horizontal



System Ultra Silence FS (EI30)

Type of filling

Glazing	AGC Pyrobel 16VL + VSG 55.1	AGC Pyrobel 16VL + VSG 66.2Si	AGC Pyrobel 16VL + VSG 88.2Si
Acoustic insulation Rw	44 dB	48 dB	50 dB

System Ultra Silence FS (EI60)

Type of filling

Glazing	AGC Pyrobel P25VL + VSG 55.1	AGC Pyrobel P25VL + VSG 66.2Si	Vetrotech CS60 + VSG 55.1	Vetrotech CS60 + VSG 66.2Si
Acoustic insulation Rw	47 dB	50 dB	46 dB	48 dB

System SILENCE LOFT FS



Rw up to 47 dB



System with muntins



Fire resistance EI30/EW30



The SILENCE LOFT FS system is a distinctive solution that combines an elegant appearance with robust fire safety features. The double-glazed structure, with perimeter profiles 30 mm high (height of muntin profiles 38 mm) and 78 mm deep, offers fire resistance EI30/EW30, while the versatility of the muntin arrangement allows for unique designs. The SILENCE LOFT FS also boasts of high acoustic parameters, reaching Rw 47 dB, making it an ideal choice for applications where comfort of work or rest is important.

Double-glazed muntin system

Structural profiles 30 mm high and 78 mm thick

Maximum height 3100 mm

Fire resistance EI30/EW30

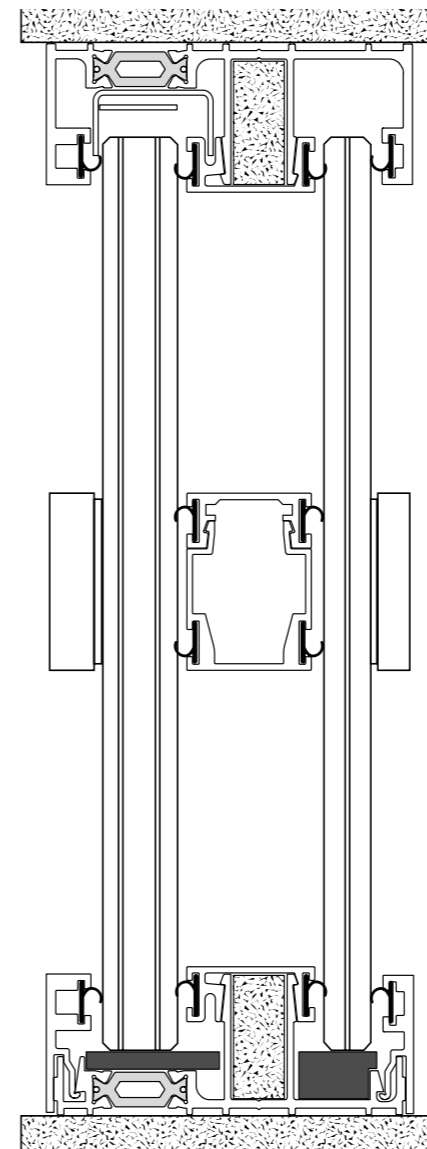
Aluminium profiles painted in any RAL colour

Open or closed frame profiles, surface or concealed hinges

Profiles for mounting of cables - for light switches and telecommunications sockets

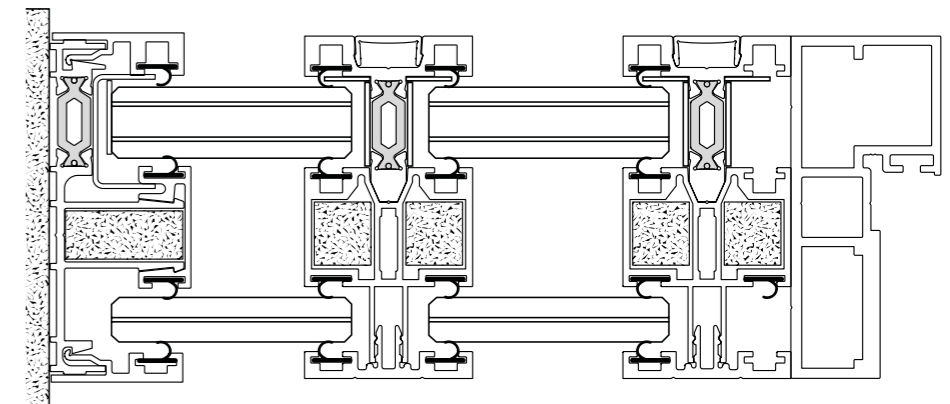
National Technical Assessment: ITB-KOT-2022/2089

System Silence Loft FS
Vertical



reddot winner 2021

System Silence Loft FS with doorframe
Horizontal



System Silence Loft FS
Type of filling

Glazing	Contraflam 30 + VSG 55.1	Contraflam 30 + VSG 66.2Si	AGC Pyrobel 16 + VSG 55.1	AGC Pyrobel 16 + VSG 66.2Si
Acoustic insulation Rw	42 dB	47 dB	45 dB	46 dB



ZIGZAK

M O B I L E W A L L S

ZigZak mobile walls are the ideal solution for flexible office spaces. This manual or semi-automatic system allows for quick space reorganization, enhancing the efficiency and adaptability of any work environment.

The glass modules are distinguished by their high transparency, with profiles taking up only 13% of the surface area. Furthermore, the choice of RAL colours for the profiles and the finishing of the solid modules with chipboard, laminate, veneer, wallpaper, sheet metal, felt or dry-erase board allows the wall to be adapted to any interior. The acoustic performance also changes depending on the choice of glass, solid or mixed modules, from Rw 39 dB to Rw 54 dB.

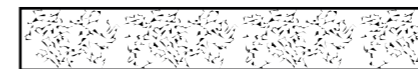
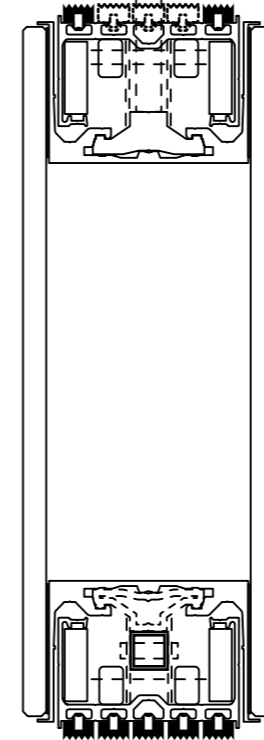
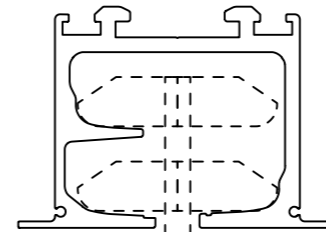
ZigZak mobile walls have been recognised in high esteemed competitions.



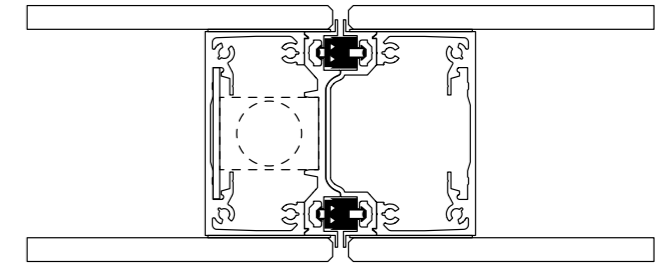
red dot winner 2024



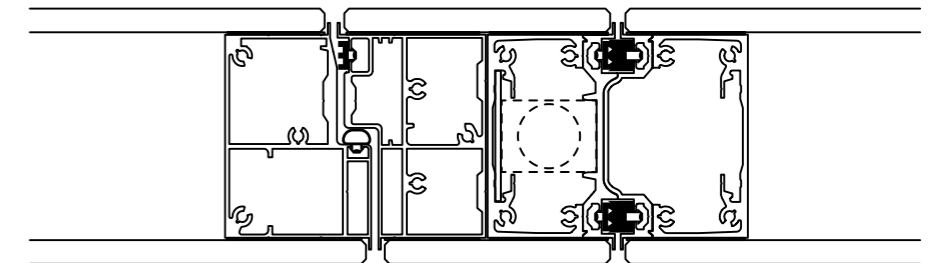
System ZigZak
Vertical



System ZigZak
Horizontal



System ZigZak with doorframe
Horizontal



3600 mm certified height for glass walls



4500 mm certified height for solid walls

Glazing	ESG 6 + ESG 6	VSG 44.2Si+ ESG 6	VSG 55.2Si+ VSG 44.2	VSG 66.2Si+ VSG 66.2Si
Acoustic insulation Rw	39 dB	44 dB	48 dB	50 dB

Filling	Full surface infill
Acoustic insulation Rw	43 dB - 54 dB



Vitrintec
INTERIOR DOORS

Door FRAMELESS GLASS DOOR



Rw up to 34 dB



Any colour from the RAL palette

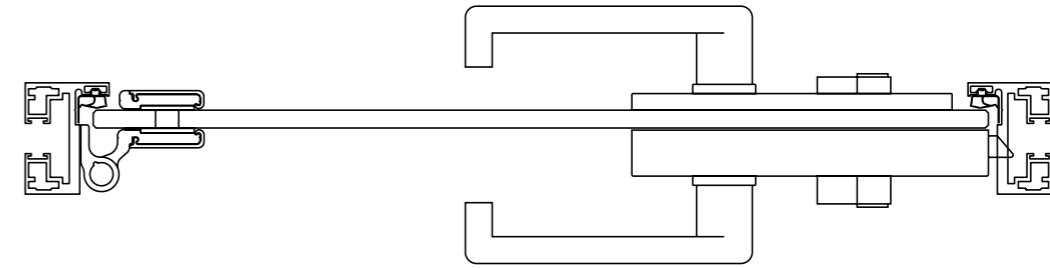


Minimalist design

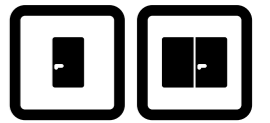


Our all-glass doors are available in single or double leaf versions, with a maximum leaf size of 1200 mm x 3000 mm. They provide excellent sound insulation at a level of Rw 34 dB. The glass is 8 mm or 10 mm thick, and the frame profiles can be painted in any RAL colour of your choice. The fittings, available in silver anodised as standard, can also be painted in a different colour. FRAMELESS GLASS doors can be equipped with access control systems, door closers and aeration actuators, as well as optional blinds and side lights or transom windows, should you require them.

Frameless Glass door *Horizontal*



Glazing	ESG 10
Acoustic insulation Rw	34 dB



Single or double leaf doors

Door STANDARD



Rw up to 40 dB



Option to add muntins



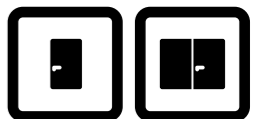
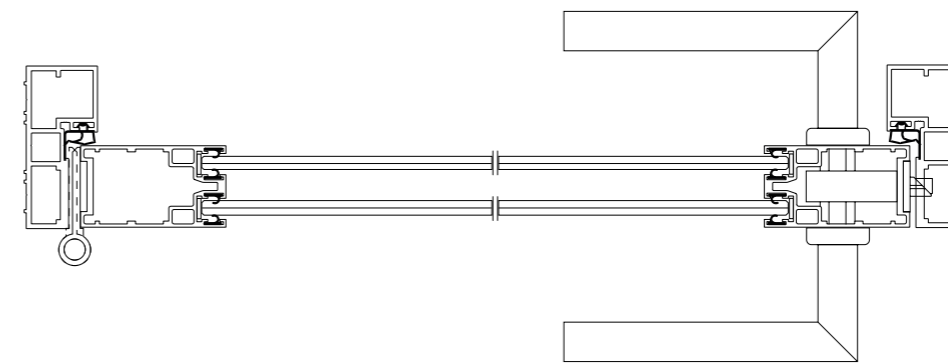
Smoke-proof option



Our STANDARD aluminium-framed doors can be installed in any mounting hole, including glass wall systems. With sound insulation of Rw 34 dB to Rw 40 dB and the option of retrofitting decorative or structural muntins, they are a popular choice for various modern office interior designs.

We also offer a smoke-proof version of our STANDARD doors.

Standard Door *Horizontal*



Single or double leaf doors

Glazing	VSG 44.2	VSG 55.1	VSG 33.2 + VSG 33.2	VSG 66.2Si	VSG 44.2 + VSG 33.2	VSG 66.2Si + Acoustic insert
Acoustic insulation Rw	34 dB	35 dB	36 dB	37 dB	38 dB	40 dB

Door STANDARD 78



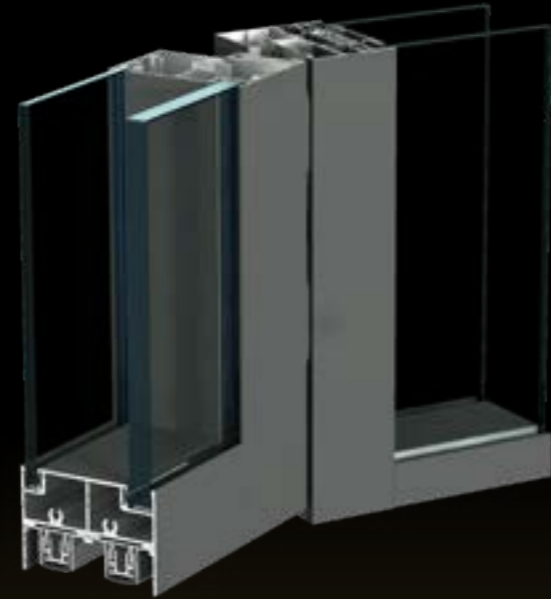
Rw up to 42 dB



Any colour
from the RAL
palette

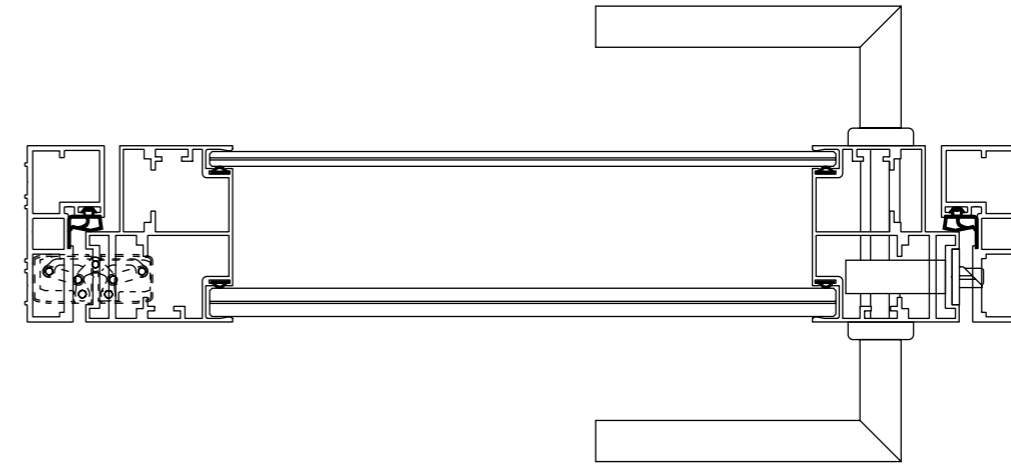


Elegant design

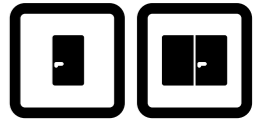


The aluminium frame, with a depth of 78 mm and glazing thickness of 6 mm to 12 mm, lends an elegant character to this door. STANDARD 78 doors can be single or double leaf, with a maximum height of up to 3000 mm. Furthermore, all profiles and hinges are painted in any RAL colour, enabling the door to be matched to any interior.

Standard 78 Door *Horizontal*



Glazing	VSG 33.1 + VSG 55.1 <i>(two drop seals)</i>	VSG 33.2 + VSG 66.2Si <i>(two drop seals)</i>
Acoustic insulation Rw	40dB	42dB



Single or double
leaf doors

Door FLUSH DOOR



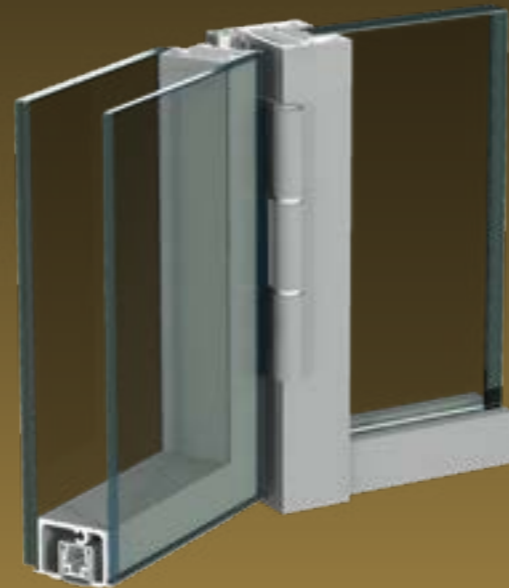
Rw up to 43 dB



Any colour
from the RAL
palette



Hidden frame



The FLUSH DOOR are the optimal solution for a secure and comfortable environment. The product features a concealed frame to which 6 mm or 8 mm toughened glass is bonded, offering a combination of aesthetic appeal and acoustic comfort (Rw 36 dB - 43 dB). The aluminium frame (53 mm, 55 mm, 78 mm or 100 mm deep) and concealed drop seals ensure a tight seal. Painting the profiles in any RAL colour allows full customisation, while the door closer and access control system enhance operational security.

Additionally, the FLUSH DOOR are available in a smoke-proof version.

Flush Door *Horizontal*



Glazing	ESG 6 + ESG 6	ESG 6 <i>varnishing, filling</i> + ESG 6 <i>varnishing (opaque doors)</i>	VSG 44.2Si + ESG 6 <i>Acoustic insert</i>
Acoustic insulation Rw	36dB	41dB	43dB



Single or double
leaf doors

Door CLASSIC FS



Rw up to 41 dB



Any colour from the RAL palette



Fire resistance EI30/EW30

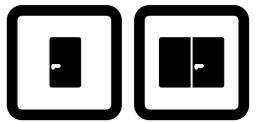


CLASSIC FS doors represent a reliable solution for spaces requiring high standards of safety and acoustics, whether single or double leaf. The EI30/EW30 fire resistance and sound insulation of Rw 41 dB ensure comfortable use, while optional accessories such as access control, door closers or three-point locks increase their functionality. With an aluminium frame painted in any RAL colour and a precision finish, CLASSIC FS doors blend in with any interior.

Classic FS Door *Horizontal*



Glazing	AGC Pyrobel16
Acoustic insulation Rw	41 dB



Single or double leaf doors

Door SOLID DOORS



Rw up to 40 dB



Natural wood veneer finish

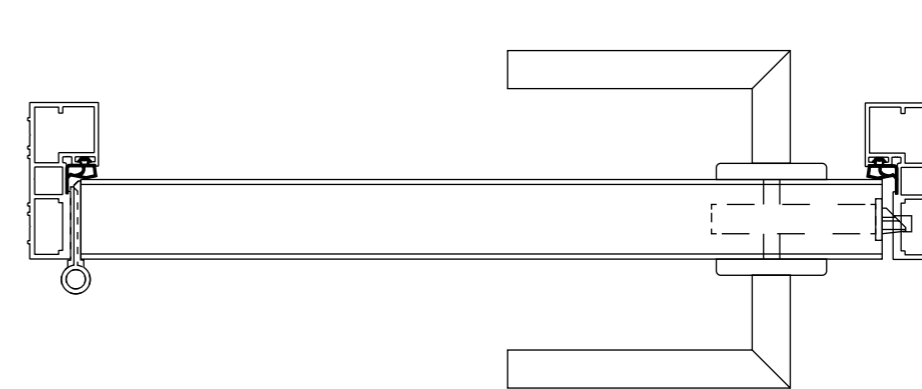


Installation in any mounting hole



SOLID doors are available in a variety of versions, including laminated, veneered or painted, as well as single or double leaf. They can be tailored to suit a range of interior designs, offering customers a high degree of flexibility. These doors are characterised by acoustic insulation of Rw 32 dB, 38 dB or 40 dB and a 40 millimetre leaf thickness. The aluminium frame and hinges can be painted in any RAL colour, allowing for a high degree of customisation. SOLID doors can be installed in any assembly opening, including in a glass wall system.

Solid Doors *Horizontal*



Filling	Full surface infill		
Acoustic insulation Rw	32 dB	38 dB	40 dB



Single or double leaf doors

Solutions for
SMART OFFICE



Access Panel -
Card Reader



Touch Switch



Dimmer

Modern access panels, touch-sensitive light switches or designer dimmers are advanced solutions that perfectly meet the needs of today's offices.

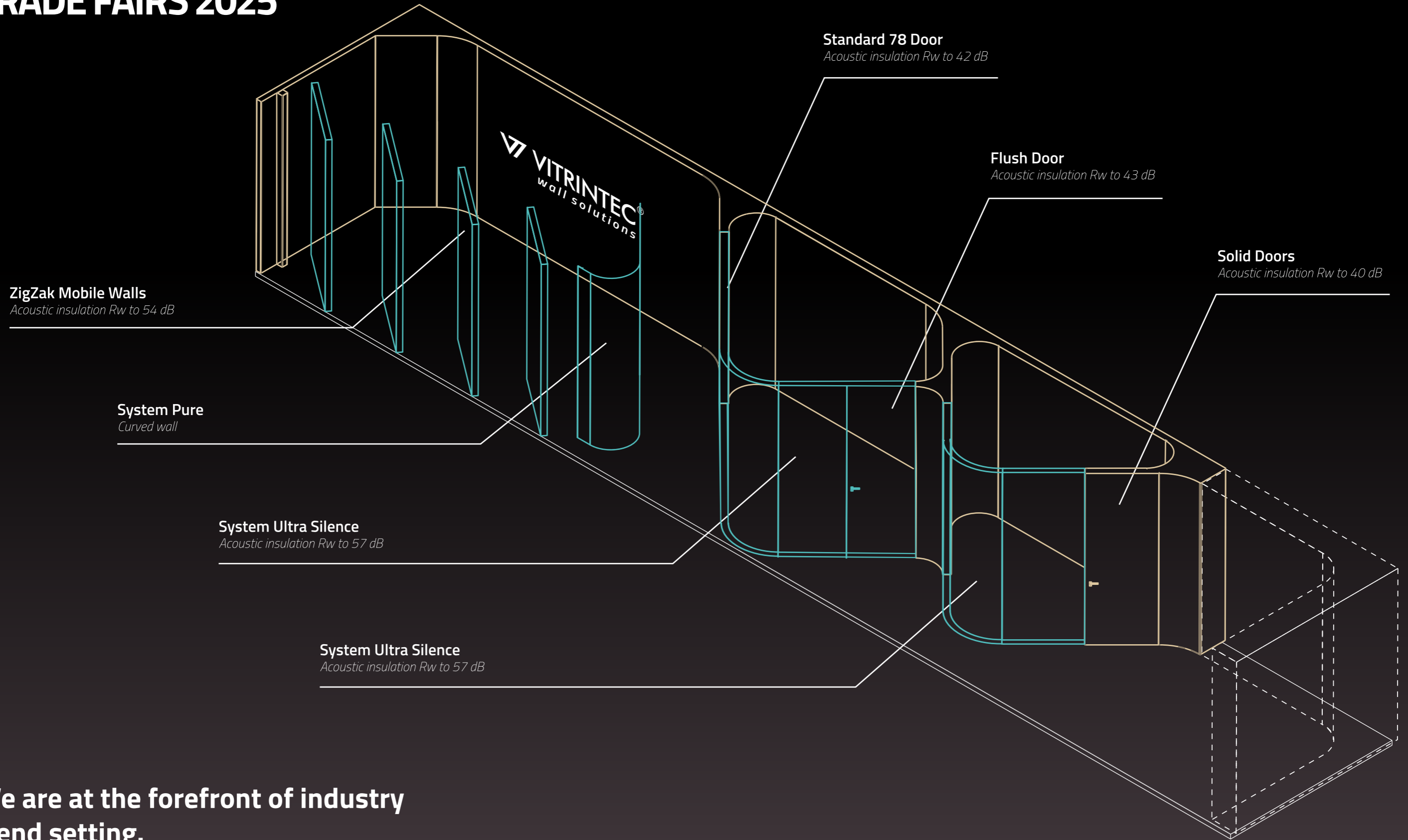
These compact accessories are intuitive to use and precise in their operation. They are also the perfect complement to Vitrintec aluminium and glass systems, enhancing user comfort and creating a cohesive, modern office design.

Smart LCD film

The smart LCD film, which changes translucency, allows for the swift management of transparency in an office space. This solution is ideal for those who value large glazing but require flexible privacy. The film can be activated and deactivated with a simple touch of a button on the remote control, or the desired level of transparency can be set using the dedicated dimmer.



Exhibition stand
TRADE FAIRS 2025



We are at the forefront of industry trend setting.

We look forward to meeting you at major international events.

Find out what the future holds for us in 2025 at www.vitrintec.pl

AWARDS AND MEMBERSHIPS



reddot winner 2024



reddot winner 2021



CERTIFICATES



System zarządzania
ISO 9001:2015
ISO 14001:2015
www.tuv.com
ID: 9000012995



